



## ORIGINAL INSTRUCTIONS

---

## INTRODUCTION

---

Before attempting to use this product, please read this manual thoroughly and follow the instructions carefully. In doing so you will ensure the safety of yourself and that of others around you, and you can look forward to your purchase giving you long and satisfactory service.

---

## GUARANTEE

---

This product is guaranteed against faulty manufacture for a period of 12 months from the date of purchase. Please keep your receipt which will be required as proof of purchase.

This guarantee is invalid if the product is found to have been abused or tampered with in any way, or not used for the purpose for which it was intended.

Faulty goods should be returned to their place of purchase, no product can be returned to us without prior permission.

This guarantee does not effect your statutory rights.

---

## ENVIRONMENTAL RECYCLING POLICY

---



Through purchase of this product, the customer is taking on the obligation to deal with the WEEE in accordance with the WEEE regulations in relation to the treatment, recycling & recovery and environmentally sound disposal of the WEEE.

In effect, this means that this product must not be disposed of with general household waste. It must be disposed of according to the laws governing Waste Electrical and Electronic Equipment (WEEE) at a recognised disposal facility.

---

# GENERAL SAFETY RULES

---



**WARNING: READ ALL INSTRUCTIONS. FAILURE TO FOLLOW ALL INSTRUCTIONS LISTED BELOW MAY RESULT IN ELECTRIC SHOCK, FIRE AND/OR SERIOUS INJURY.**

---

## 1. Keep work area clear

- Cluttered areas and benches invite injuries.

## 2. Consider work area environment

- Do not expose tools to rain.
- Do not use tools in damp or wet locations.
- Keep work area well lit.
- Do not use tools in the presence of flammable liquids or gases.

## 3. Guard against electric shock

- Avoid body contact with earthed or grounded surfaces (e.g. pipes, radiators, ranges, refrigerators).

## 4. Keep other persons away

- Do not let persons, especially children, not involved in the work touch the tool or the extension cord and keep them away from the work area.

## 5. Store idle tools

- When not in use, tools should be stored in a dry locked-up place, out of reach of children.

## 6. Use protective equipment

- Use safety glasses.
- Use face or dust mask if working operations create dust.

## 7. Do not force the tool

- It will do the job better and safer at the rate for which it was intended.

## 8. Use the right tool

- Do not force small tools to do the job of a heavy duty tool.
- Do not use tools for purposes not intended; for example do not use circular saws to cut tree limbs or logs.

## 9. Dress properly

- Do not wear loose clothing or jewellery, they can be caught in moving parts.
- Non-skid footwear is recommended when working outdoors.
- Wear protective hair covering to contain long hair.

## 10. Dust extraction equipment

- Ensure dust extraction equipment is used.

## 11. Do not abuse the cord

- Never yank the cord to disconnect it from the socket. Keep the cord away from heat, oil and sharp edges.

## 12. Secure the work

- Where possible use clamps or a vice to hold the work. It is safer than using your hand.

### **13. Do not overreach**

- Keep proper footing and balance at all times.

### **14. Maintain tools with care**

- Keep cutting tools sharp and clean for better and safer performance.
- Follow instruction for lubricating and changing accessories.
- Inspect tool cords periodically and if damaged have them repaired by an authorized service facility.
- Inspect extension cords periodically and replace if damaged.
- Keep handles dry, clean and free from oil and grease.

### **15. Disconnect tools**

- When not in use, before servicing and when changing accessories such as blades, bits and cutters, disconnect tools from the power supply.

### **16. Remove adjusting keys and wrenches**

- Form the habit of checking to see that keys and adjusting wrenches are removed from the tool before turning it on.

### **17. Avoid unintentional starting**

- Ensure switch is in "off" position when plugging in.

### **18. Use outdoor extension leads**

- When the tool is used outdoors, use only extension cords intended for outdoor use and so marked.

### **19. Stay alert**

- Watch what you are doing, use common sense and do not operate the tool when you are tired.

### **20. Check damaged parts**

- Before further use of tool, it should be carefully checked to determine that it will operate properly and perform its intended function.
- Check for alignment of moving parts, binding of moving parts, breakage of parts, mounting and any other conditions that may affect its operation.
- A guard or other part that is damaged should be properly repaired or replaced by an authorized service centre unless otherwise indicated in this instruction manual.
- Have defective switches replaced by an authorized service centre.
- Do not use the tool if the switch does not turn it on and off.

### **21. Warning**

- The use of any accessory or attachment other than one recommended in this instruction manual may present a risk of personal injury.

### **22. Have your tool repaired by a qualified person**

- This electric tool complies with the relevant safety rules. Repairs should only be carried out by qualified persons using original spare parts, otherwise this may result in considerable danger to the user.

## ELECTRICAL CONNECTIONS



**WARNING: READ THESE ELECTRICAL SAFETY INSTRUCTIONS THOROUGHLY BEFORE CONNECTING THE PRODUCT TO THE MAINS SUPPLY.**

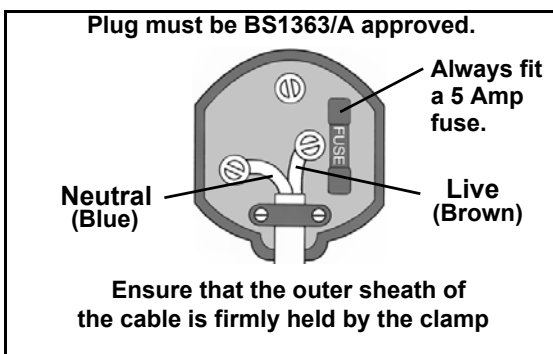
Connect the mains lead to a standard, 230 Volt (50Hz) electrical supply through an approved 13 amp BS 1363 plug, or a suitably fused isolator switch. If the plug has to be changed because it is not suitable for your socket, or because of damage, it must be removed and a replacement fitted, following the wiring instructions shown below. The old plug must be discarded safely, as insertion into a power socket could cause an electrical hazard.



**WARNING: THE WIRES IN THE POWER CABLE OF THIS PRODUCT ARE COLOURED IN ACCORDANCE WITH THE FOLLOWING CODE:  
BLUE = NEUTRAL    BROWN = LIVE**

If the colours of the wires in the power cable do not agree with the markings on the plug.

- The BLUE wire must be connected to the terminal which is marked N or coloured black.
- The BROWN wire must be connected to the terminal which is marked L or coloured red.



**AN APPROVED RESIDUAL CURRENT DEVICE (RCD) WHICH HAS A TRIPPING CURRENT OF LESS THAN 30mA MUST BE USED.**

If you are not sure, consult a qualified electrician. DO NOT try to do any repairs







**This symbol indicates that this is a Class II product, and does not require an earth connection.**

## CONTENTS

The following items should be supplied in the carton. If any parts are missing, do not operate until the missing parts are replaced. Failure to follow this instruction could result in serious injury.

1 x Bobbin Sander	
1 x 15 mm Ø Sanding Sleeve 1 x 21 mm Ø Sanding Sleeve 1 x 28 mm Ø Sanding Sleeve 1 x 40 mm Ø Sanding Sleeve 1 x 53 mm Ø Sanding Sleeve	1 x 18 mm Ø Table Insert 1 x 25 mm Ø Table Insert 1 x 31 mm Ø Table Insert 1 x 44 mm Ø Table Insert 1 x 57 mm Ø Table Insert
1 x 19 mm (Ø) x 115 mm Sanding Bobbin 1 x 26 mm (Ø) x 115 mm Sanding Bobbin 1 x 38 mm (Ø) x 115 mm Sanding Bobbin 1 x 51 mm (Ø) x 115 mm Sanding Bobbin	1 x Nut 1 x 14 mm Ø Spindle Washer 1 x 24 mm Ø Spindle Washer 1 x 44 mm Ø Spindle Washer 1 x Fence 1 x Mitre Gauge

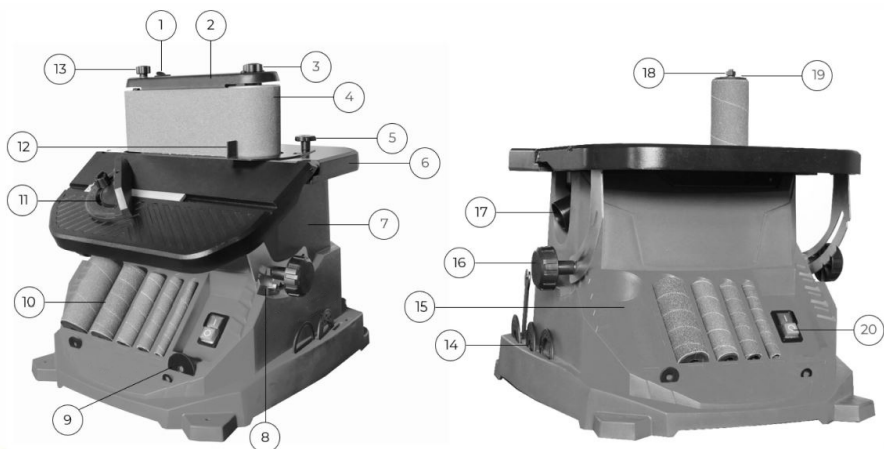
## SAFETY SYMBOLS

	Read this instruction booklet carefully.		Wear ear protection.
	Wear eye protection.		Wear a dust mask that is specially designed to filter microscopic particles.

## SPECIFICATIONS

Model Number	OBS500
Operating Temperature Range	0-40°C
Bobbin Speed	2000 rpm
Oscillations per min	58
Oscillation Travel	16 mm
Sanding Table Dimensions: (Length x Width)	400 x 407 mm
Sanding Height	90 mm
Max Bobbin Working Height	115 mm
Dust Extraction Outlet Diameter	38 mm
Operating Voltage and Frequency	230V @ 50Hz
Input Power @ Rated Load	450W
Sanding Drum Diameters	19, 26, 38, 51mm
Grit grades	80 grit
Sound Pressure level : LpA	72 dB
Sound Power level: LWA	85 dB
Uncertainty Factor K	3 dB
Vibration aw	< 2.5 m/s <sup>2</sup>
Dimensions (L x W x H)	440 x 470 x 500 mm
Weight	12 kg

# PARTS IDENTIFICATION



Description		Description	
<b>1</b>	Sanding belt tensioner	<b>11</b>	Mitre gauge
<b>2</b>	Sanding belt attachment	<b>12</b>	Fence
<b>3</b>	Belt fixing screw	<b>13</b>	Sanding belt setting
<b>4</b>	Sanding belt	<b>14</b>	Table inlay slot
<b>5</b>	Fence fixing screw aluminum	<b>15</b>	Sanding roll slot
<b>6</b>	Aluminum cast table	<b>16</b>	Fixing screw table
<b>7</b>	Housing	<b>17</b>	Dust collector port
<b>8</b>	Angle lock	<b>18</b>	Spindle
<b>9</b>	Spindle disc slot	<b>19</b>	Spindle disc
<b>10</b>	Sanding Sleeves	<b>20</b>	ON-OFF Switch



---

## ASSEMBLY

---

1. Mark out the position of the holes.
2. Secure using suitable bolts, washers, and nuts (not supplied).

## SECURING THE SANDER TO A WORKBENCH

If sander is to be used in a permanent location, it should be fastened securely to a workbench via the four securing holes (one on each corner).

An alternative method is to fasten the sander to a mounting board.

The board should be sufficient size to avoid tipping while in use. Any good grade of 3/4" plywood or chipboard will be sufficient.

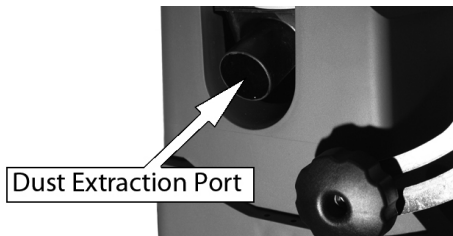
The mounting board can then be clamped to a workbench when required.

## EXTRACTION

1. Connect a suitable dust collector to the dust extraction port.
  - The dust exhaust port has an internal diameter of 36 mm and an outside diameter of 39 mm.

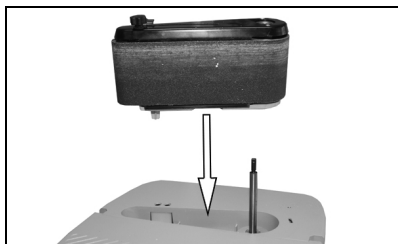
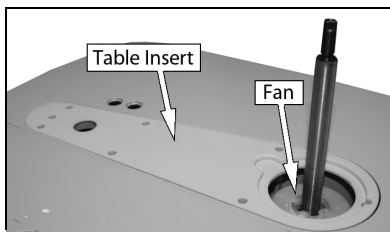
**NOTE:** Even with a dust collection

system, it is necessary to periodically clean sanding dust from the recess in the table. A build up of dust in the table recess may prevent the belt or spindle from making a complete oscillation.



## EDGE SANDING SETUP

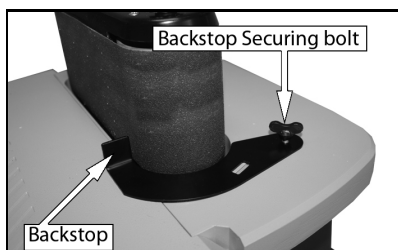
1. If fitted, remove the fan and table insert from the sander.
  - Clear the recess of any debris.
2. Slide the fan onto the motor shaft (vanes face down).
  - You may need to rotate the fan to get it to locate properly, (when correctly fitted the fan rotates with the spindle).
  - The fan must be used at all times.
3. Slide sanding belt assembly over the spindle as shown.



4. Fit the washer and hand nut.
  - Do not overtighten the hand nut.
5. Install the sanding belt (See "Removing/installing the Sanding Belt" on page 11).



6. Place the backstop into position and secure in place with the backstop securing bolt.

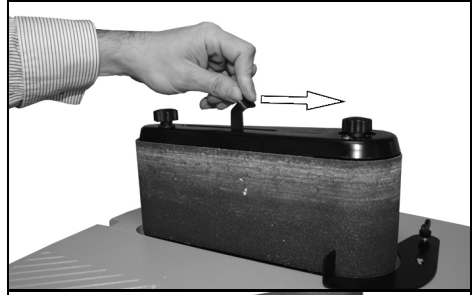


## REMOVING/INSTALLING THE SANDING BELT



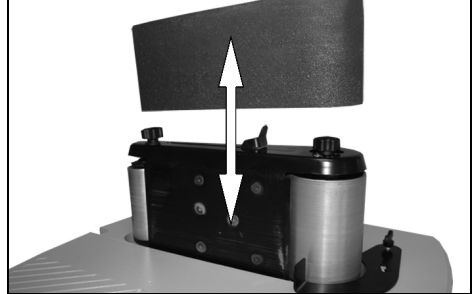
**WARNING: MAKE SURE THAT THE TOOL IS UNPLUGGED BEFORE INSTALLING/REMOVING THE SANDING BELT.**

1. Move the belt tension lever fully to the right as shown.



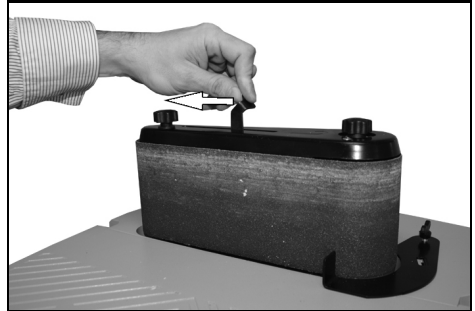
2. Slide the belt over the rollers and centralise the belt.

- The arrows on the sanding belt and machine should be pointing in the same direction.



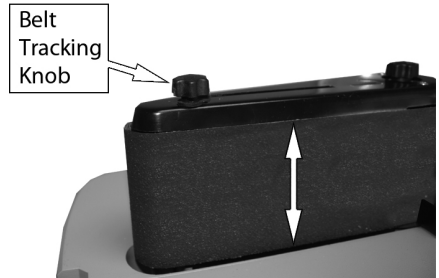
3. Move the belt tensioning lever to the left.

- Keep the belt tensioning lever under control at all times, do not allow it to spring back.
- Make sure the belt tracks correctly before use, See "Sanding Belt Tracking" on page 12.



## SANDING BELT TRACKING

1. Plug in the power cable. Turn the switch ON and immediately turn the switch OFF again. Note if the belt tends to slide off the drums.
  - If it did not tend to slide off, it is tracking properly.
  - If the sanding belt runs down (towards the table), turn the tracking knob clockwise 1/4 turn.
  - If the sanding belt runs up (away from the table), turn the tracking knob counterclockwise 1/4 turn.
2. Turn the switch ON and immediately OFF again, noting belt movement. Readjust the tracking knob if necessary.



## ASSEMBLING THE BOBBIN

Slide the sanding sleeve over the drum as shown.

- If the sanding sleeve is difficult to slide over the drum, apply talcum powder to the outside surface of the drum.
- The smallest sanding sleeve slides directly onto the spindle shaft and does not require a drum.

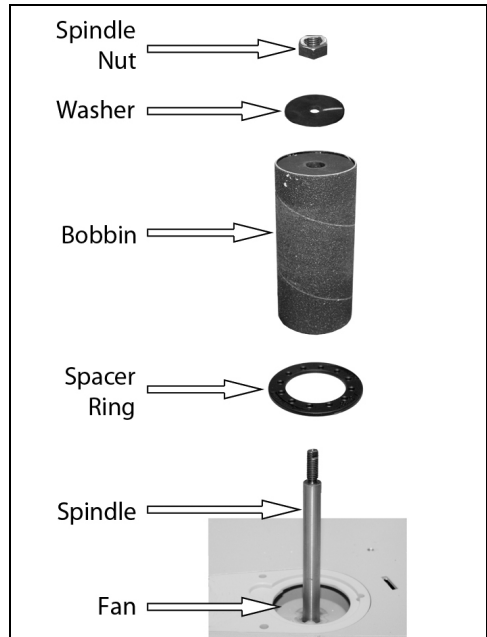
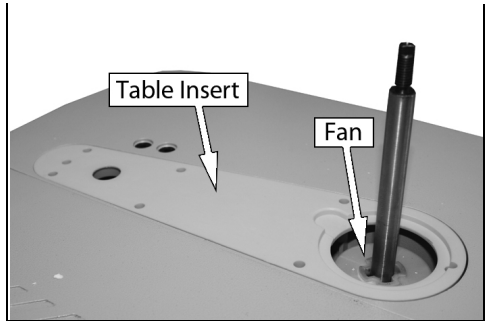


## FITTING THE BOBBIN TO THE SANDER



**WARNING: TO REDUCE THE RISK OF INJURY FROM ACCIDENTAL STARTING, MAKE SURE THE SANDER IS UNPLUGGED BEFORE REMOVING OR REPLACING THE SPACER RING INSERTS, SLEEVES AND DRUMS.**

1. If fitted, remove the fan and table insert from the sander.
2. Clear the recess of any debris.
3. Slide the fan back on to the spindle (vanes face down) and engaged fully.
  - The fan must be used at all times.
4. Replace the table insert.
5. Slide the bobbin onto the spindle.
6. Position the spacer ring in the recess on the table insert.
  - Use the smallest spacer ring insert that will fit over the drum.
7. Install the correct washer.
  - Use the largest washer that does not overhang the sanding sleeve.
8. Secure everything in place with the spindle nut.
  - A spindle nut wrench is supplied.



**NOTE:** As you tighten the spindle nut, the drum expands outwards slightly to hold the sanding sleeve secure.

---

## USING THE SANDER

---



CAUTION: BEFORE TURNING THE SWITCH ON, MAKE SURE THE BELT OR DRUM AND SLEEVE ARE PROPERLY INSTALLED.



**WARNING: ALWAYS WEAR SAFETY GOGGLES OR SAFETY GLASSES WITH SIDE SHIELDS WHEN OPERATING POWER TOOLS. FAILURE TO DO SO COULD RESULT IN OBJECTS BEING THROWN INTO YOUR EYES, RESULTING IN POSSIBLE SERIOUS INJURY.**

---

### ON-OFF SWITCH

Press green button " - " to turn switch ON

Press red button " O " to turn switch OFF.



### WHEN THE SANDER IS RUNNING

Before starting your work, watch the sander while it runs.

If it makes an unfamiliar noise or vibrates excessively, stop immediately. Switch off and unplug the sander. Do not restart until identifying and correcting the problem.

Don't force the sander. It will perform better and safer at its designed rate. Press workpiece against the sanding sleeve or belt hard enough to begin sanding without binding.

### BEFORE FREEING ANY JAMMED MATERIAL

- Switch OFF ( O ).
- Unplug the sander.
- Wait for all moving parts to stop.

### BEFORE LEAVING THE SANDER

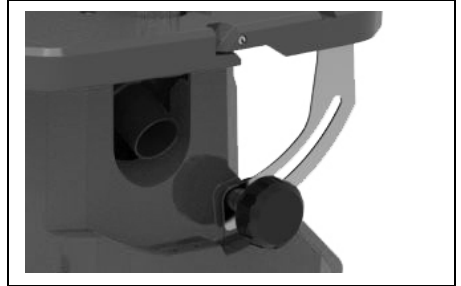
- Switch off. Do not leave the sander until the unit comes to a complete stop.

## ADJUSTING THE TABLE ANGLE



**WARNING: BEFORE PERFORMING ANY ADJUSTMENT, MAKE SURE THE SANDER IS SWITCHED OFF AND UNPLUGGED FROM THE POWER SUPPLY. FAILURE TO HEED THIS WARNING COULD RESULT IN SERIOUS PERSONAL INJURY.**

1. Loosen the table adjustment knobs (one each side) and move the table to the required angle.
  - There are stops on the right hand bracket at the following angles 0, 15, 22.5, 30, and 45 degrees.
  - Use a protractor or set square to confirm the angle.
2. Retighten both table adjustment knobs.



## PARTS STORAGE

1. The storage slots on the front are used to store bobbins/sanding sleeves and washers.
2. Spindle nut wrench and spacer rings and the are stored on the sides.
3. The edge sander is stored at the rear.



---

## MAINTENANCE

---



**WARNING: REMOVE THE PLUG FROM THE MAINS POWER SUPPLY BEFORE CARRYING OUT ANY ADJUSTMENT, SERVICING OR MAINTENANCE**

---

### PERIODICALLY

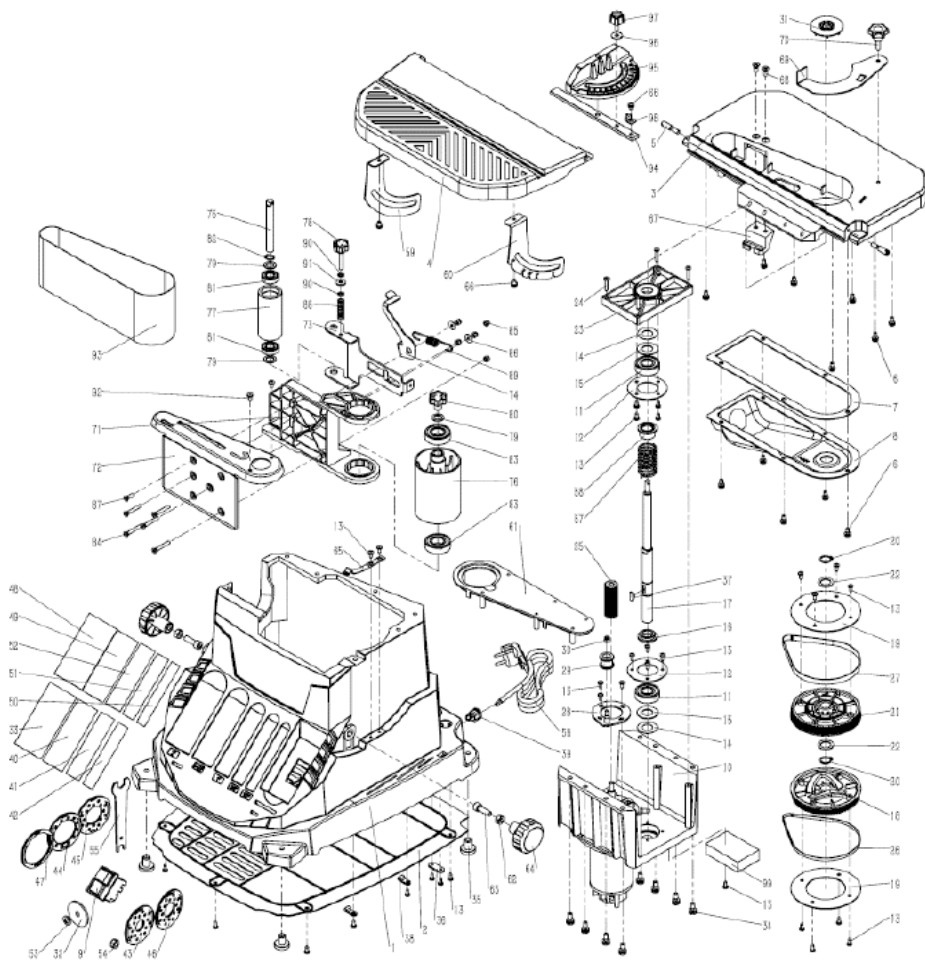
- Keep the ventilation holes clear and free from blockages.
- Wipe the unit with a damp cloth, do not use abrasive chemicals to clean the sander.

### LUBRICATION

- All of the bearings in this sander are lubricated with a sufficient amount of high grade lubricant for the life of the unit under normal operating conditions. Therefore, no further lubrication is required.



# EXPLODED DIAGRAM



No.	Description	Qty.	No	Description	
1	Base	1	51	Sand cylinder	1
2	Baseplate	1	52	Sand cylinder	1
3	Fixed table	1	53	Washer 8	1
4	Movable table	1	54	Nut M8	1
5	Axis pin	2	55	Wrench	1
6	Screw, spring washer and flat washer M5x12	12	56	Power cord	1
7	Rubber ring	1	57	Spring	1
8	Dust port	1	58	Axle sleeve	1
9	Switch	1	59	Left table support	1
10	Motor	1	60	Right table support	1
11	Deep groove ball bearing	2	61	Belt work table plate	1
12	Pressing plate	2	62	Nut M8	2
13	Screw	32	63	Screws M8x25	2
14	Rubber blanket	2	64	Tension handle	2
15	Felt blanket	2	65	Leaf spring	1
16	Shaft sleeve	1	66	Screw, spring washer and flat washer M5x8	3
17	Spindle	1	67	Fixed the slider	1
18	69 teeth synchronous belt wheel	1	68	Screws M6x14	2
19	Press plate with wheel	2	69	Limit board	1
20	Circlip for shaft	2	70	Index plate handle	1
21	70 teeth synchronous belt wheel	1	71	Belt support	1
22	Spring backed plate	2	72	Support plate	1
23	Backpanels	1	73	Guide frame	1
24	Screw ST4,2x25	4	74	Sand belt tension handle	1
25	Motor wheel	1	75	Driven shaft	1
26	Synchronous belt	1	76	Drive roller	1
27	Synchronous belt	1	77	Driven roller	1
28	Tightening rack assembly	1	78	Sand belt adjusting handle	1
29	Tightening wheel assembly	1	79	Washer	3
30	Nut M5	1	80	Sand belt lock handle	1
31	Connector	1	81	Deep groove ball bearing 6001-2RS	2
32	Sand cylinder pressing plate	1	82	Circlip for shaft 12	1
33	Sand cylinder roller	1	83	Deep groove ball bearing 6004-2RS	2
34	Screw, spring washer and flat washer M6x16	8	84	Screws M5x35	5
35	Foot	4	85	Nut M5	5
36	Cable joint	1	86	Washer 5	2
37	Half round key 5 x6,5	1	87	Screws M5x16	1
38	Install wire fixing button	2	88	Regulating spring	1
39	Ply-yarn drill	1	89	Extension spring	1
40	Sand cylinder roller	1	90	Washer 5	2
41	Sand cylinder roller	1	91	Rubber washer	1
42	Sand cylinder roller	1	92	Screws M5x8	2
43	13mm Work table plate	1	93	Belt	1
44	38mm Work table plate	1	94	Miter rods	1
45	26mm Work table plate	1	95	Index plate	1
46	19mm Work table plate	1	96	Washer 6	1
47	51mm Work table plate	1	97	Handle	1
48	Sand cylinder	1	98	Pointer	1
49	Sand cylinder	1	99	Circuit board	1
50	Sand cylinder	1			

# DECLARATION OF CONFORMITY



We Importer:

**TOOLS&E LTD**

Unit C, Manders Ind. Est.,  
Old Heath Road, Wolverhampton,  
WV1 2RP.

Declare that the product:

**Designation: OSCILLATING BOBBIN SANDER**  
**Model: OBS500**

Standards & technical specifications referred to:

We hereby declare that this product(s) complies with the following directive(s):

- 2014/30/EU *Electromagnetic Compatibility Directive.*
- 2006/42/EC *Machinery Directive.*
- 2011/65/EU *Restriction of Hazardous Substances, (amended by 2015/863).*

The following standards have been applied to the product(s):

- EN 62841-3-4:2016+A11:2017, EN 62841-1:2015, EN 55014-1:2017, EN 55014-2:2015,*
- EN 61000-3-2:2019, EN 61000-3-3:2013.*

**Authorized Technical File Holder: Bill Evans**

**14/08/2023**  
**The Director**

A handwritten signature in black ink, appearing to be "Bill Evans", written over a white background.

