



ORIGINAL INSTRUCTIONS



TABLE OF CONTENTS

Welcome to Lumberjack!

Dear customer, Congratulations on your purchase. Before using the product for the first time please be sure to read these instructions for use.

They provide you with all information necessary for using the product safely and to ensure its long service life.

Closely observe all safety information in these instructions!

General Power Tool Safety Warnings.....	01
Symbols & Cable Rating Chart	05
Machine Details and Product Features.....	06
Operation, Maintenance and Service.....	08
Lumberjack Guarantee.....	09
Declaration of Conformity.....	11
Parts List.....	12
Parts Diagram.....	13

GENERAL POWER TOOL SAFETY WARNINGS

WARNING Read all safety warnings and all instructions. Failure to follow the warnings and instructions may result in electric shock, fire and/or serious injury.

Save all warnings and instructions for future reference. The term "power tool" in the warnings refers to your electric (corded) power tool or battery-operated (cordless) power tool.

1. Work area safety

a) Keep work area clean and well lit. Cluttered or dark areas invite accidents.

b) Do not operate power tools in explosive atmospheres, such as in the presence of flammable liquids, gases or dust. Power tools create sparks which may ignite the dust or fumes.

c) Keep children and bystanders away while operating a power tool. Distractions can cause you to lose control.

2. Electrical safety

a) Power tool plugs must match the outlet. Never modify the plug in any way. Do not use any adapter plugs with grounded power tools. Unmodified plugs and matching outlets will reduce risk of electric shock.

b) Avoid body contact with grounded surfaces, such as pipes, radiators, ranges and refrigerators. There is an increased risk of electric shock if your body is grounded.

c) Do not expose power tools to rain or wet conditions. Water entering a power tool will increase the risk of electric shock.

d) Do not abuse the cord. Never use the cord for carrying, pulling or unplugging the power tool. Keep cord away from heat, oil, sharp edges or moving parts. Damaged or entangled cords increase the risk of electric shock.

e) When operating a power tool outdoors, use an extension cord suitable for outdoor use. Use of a cord suitable for outdoor use reduces the risk of electric shock.

f) If operating a power tool in a damp location is unavoidable, use a residual current device (RCD) protected supply. Use of an RCD reduces the risk of electric shock.

3. Personal safety

a) Stay alert, watch what you are doing and use common sense when operating a power tool. Do not use a power tool while you are tired or under the influence of drugs, alcohol or medication. A moment of inattention while operating power tools may result in serious personal injury.

b) Use personal protective equipment. Always wear eye protection. Protective equipment such as dust mask, non-skid safety shoes, hard hat, or hearing protection used for appropriate conditions will reduce personal injuries.

c) Prevent unintentional starting. Ensure the switch is in the off position before connecting to power source and/or battery pack, picking up or carrying the tool. Carrying power tools with your finger on the switch or energising power tools that have the switch on invites accidents.

d) Remove any adjusting key or wrench before turning the power tool on. A wrench or a key left attached to a rotating part of the power tool may result in personal injury.

GENERAL POWER TOOL SAFETY WARNINGS

e) Do not overreach. Keep proper footing and balance at all times. This enables better control of the power tool in unexpected situations.

f) Dress properly. Do not wear loose clothing or jewellery. Keep your hair, clothing and gloves away from moving parts. Loose clothes, jewellery or long hair can be caught in moving parts.

g) If devices are provided for the connection of dust extraction and collection facilities, ensure these are connected and properly used. Use of dust collection can reduce dust-related hazards.

4. Power tool use and care

a) Do not force the power tool. Use the correct power tool for your application. The correct power tool will do the job better and safer at the rate for which it was designed.

b) Do not use the power tool if the switch does not turn it on and off. Any power tool that cannot be controlled with the switch is dangerous and must be repaired.

c) Disconnect the plug from the power source and/or the battery pack from the power tool before making any adjustments, changing accessories, or storing power tools. Such preventive safety measures reduce the risk of starting the power tool accidentally.

d) Store idle power tools out of the reach of children and do not allow persons unfamiliar with the power tool or these instructions to operate the power tool. Power tools are dangerous in the hands of untrained users.

e) Maintain power tools. Check for misalignment or binding of moving parts, breakage of parts and any other condition that may affect the power tool's operation. If damaged, have the power tool repaired before use. Many accidents are caused by poorly maintained power tools.

f) Keep cutting tools sharp and clean. Properly maintained cutting tools with sharp cutting edges are less likely to bind and are easier to control.

g) Use the power tool, accessories and tool bits etc. in accordance with these instructions, taking into account the working conditions and the work to be performed. Use of the power tool for operations different from those intended could result in a hazardous situation.

5. Service

a) Have your power tool serviced by a qualified repair person using only identical replacement parts. This will ensure that the safety of the power tool is maintained.

b) If the replacement of the supply cord is necessary, this has to be done by the manufacturer or its agent in order to avoid a safety hazard.

GENERAL POWER TOOL SAFETY WARNINGS

6. SAFETY INSTRUCTIONS FOR TACKERS

- a) **Secure the workpiece** (a workpiece clamped with clamping devices or in a vice is held more securely than by hand) .
- b) **Never push in the tacker head manually**(there is danger of injury when at the same time the trigger is activated unintentionally) .
- c) **Never use the tool for fastening electrical wiring** (contact with electrical wires can lead to fire and electric shock) .
- d) Avoid damage that can be caused by screws, nails and other elements in your workpiece; remove them before you start working .
- e) In case of electrical or mechanical malfunction, immediately switch off the tool.
- f) Lumberjack can assure flawless functioning of the tool only when original accessories are used .
- g) This tool should not be used by people under the age of 16 years.
- h) Do not expose tool to rain.

SYMBOLS AND POWER RATING CHART



Danger! – Read the operating instructions to reduce the risk of injury.



Caution! Wear safety goggles.



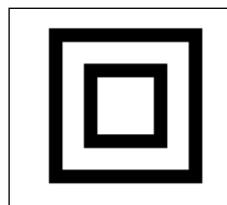
Caution! Wear ear defenders. The impact of noise can cause damage to hearing.



Caution! Risk of Injury! Do not reach into the running saw blade.



Caution! Wear a dust mask.



**Protection class:
Double Insulated.**

MACHINE DETAILS AND PRODUCT FEATURES

Machine Details

Specifications:

Mains Voltage -230V / 50Hz

Rated Current - 5A

Rated Firing Speed - \leq 20pcs/min

Staple specification:

Type 600

Wire Spec. – 18 Gauge

Crown Width – 5.7mm

Staple Length – 15-25mm

Brad Nail Specification:

Type F

Wire Spec. – 18 gauge

Brad Width – 2.0mm

Nail Length – 15-32mm

Gross Weight – 2.5kg

Nett Weight – 2.0kg

Package Contents:

300 X Staples

100 X Nails

1 X Hex key

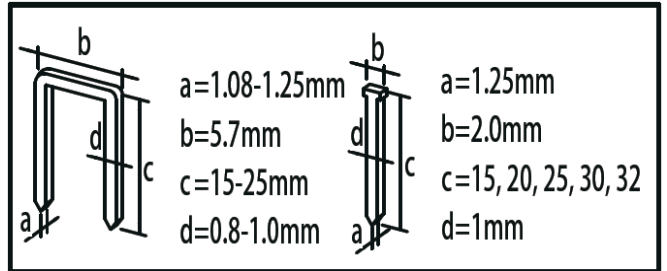
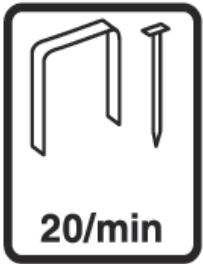
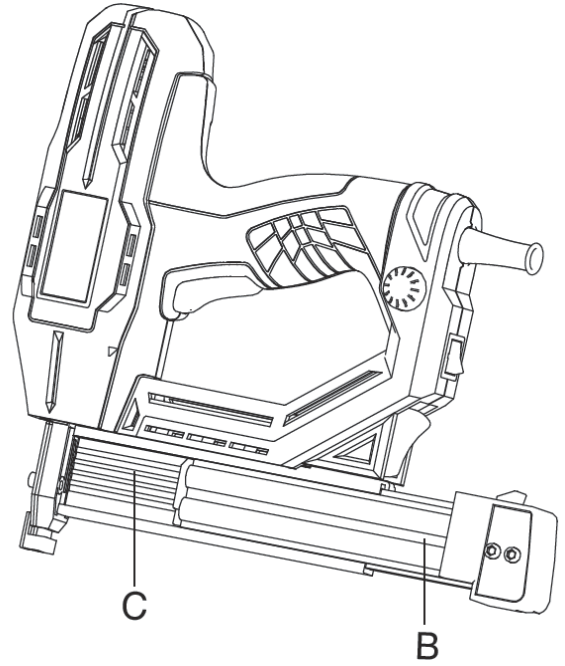
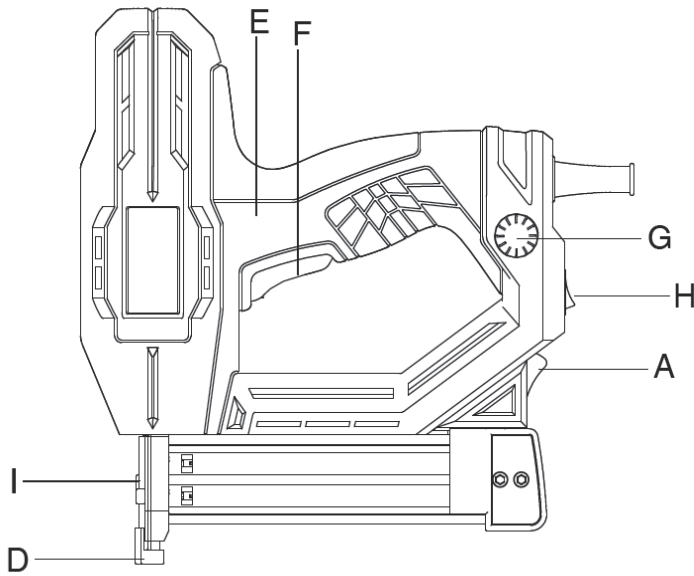
Intended Use

This tool is intended for stapling and nailing of cardboard, insulating material, fabrics, foils, leather and similar materials on surfaces of wood or materials similar to wood.

Product Features

- A. Lever for loading magazine
- B. Slider
- C. Magazine
- D. Tacker head
- E. Soft grip handle
- F. Trigger
- G. Impact control adjustment knob
- H. ON/OFF Switch
- I. Non-marring nose tip

MACHINE DETAILS AND PRODUCT FEATURES



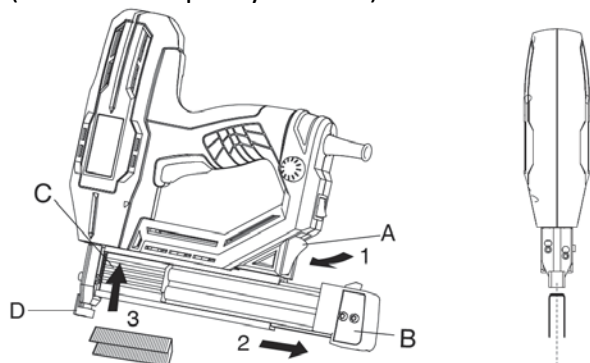
OPERATION

Operation

USE

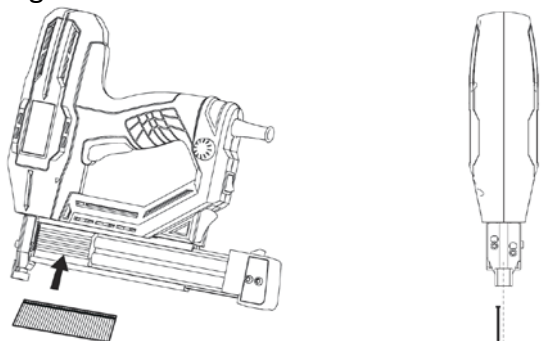
Loading staples/nails

- Tilt the tool or lay the tool flat, so the staples or nails will not drop out while loading
- Press lever A while pulling slider B backwards
- Place the nail strip into magazine C (maximum capacity 90 nails)



Attention: Make sure that

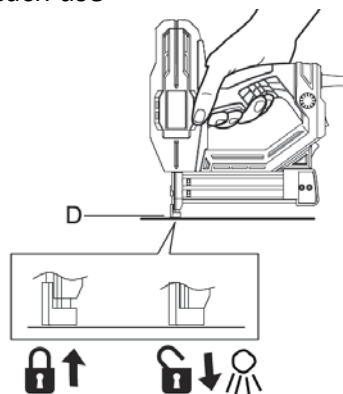
- the staple strip is loaded with the crown aligning with the top line of the magazine C
- the nail strip is loaded with the tapered end aligning with the bottom line of the magazine C, so the brad nail head rest right into the grooves which corresponds with the symbol of nail length on tacker head D



- push slider B against tacker head D until it snaplocks

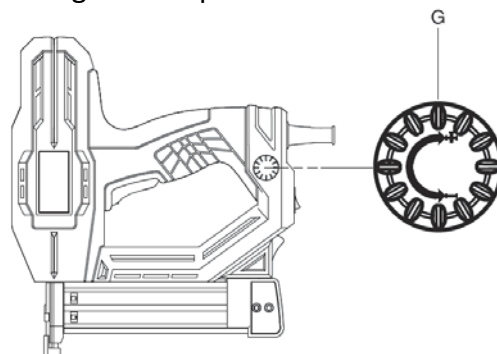
Operating the tool

- firmly press tacker head D against the work piece until it is pushed in a few millimetres.
- briefly press trigger F and then release again
- Trigger F is locked as long as you do not press tacker head D against the work piece, Thus preventing accidental operation
- At 20 shots/min, tacker should be allowed to cool down after 30 minutes as it is only rated for short-time duty.
- ! Remove all staples/nails from the magazine after each use



Impact control

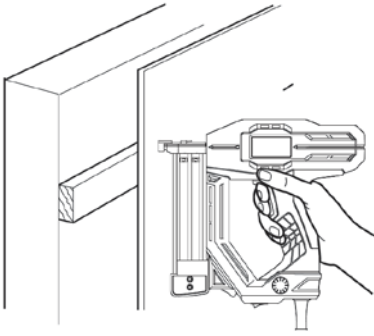
- With knob G the required impact level can be adjusted in steps
- indicator G shows the selected impact level
- “-” for thin and light materials such as foils and fabrics
- “+” for thick and tough materials such as hard woods and walls
- before starting a job, find the optimal impact level by testing out on spare material



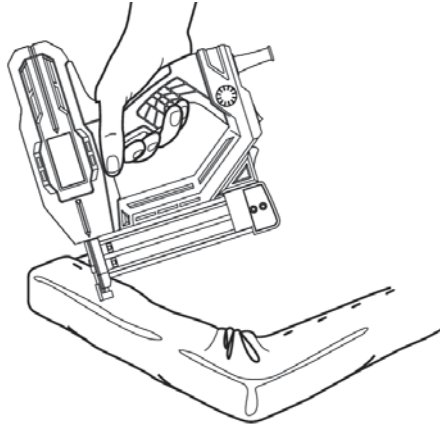
OPERATION

APPLICATION ADVICE

. Fastening panels.



. Do not use the tool for fastening ceiling panelling on profiled wood or grooves.



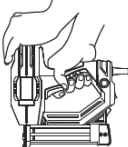
. Fixing textiles!

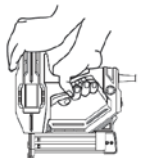
. Avoid blank shots in order to reduce the wear of the impact strike.

NAIL INSTRUCTIONS FOR TACKERS

. Roughly, the hardness of wood is divided into 3 levels:

- High
- Medium
- Low

NO.	Wood	Wood hardness	Length of nail (mm)	Hand Operation
1	Beech Wood	High	15, 20, 25	 Two hands operation (see picture). One hand operation is not suggested.
2	Oak		15, 20, 25	
3	Medium Density Fiberboard	Medium	15, 20, 25	
4	Solid Wood		15, 20, 25, 30	
5	Pine	Low	15, 20, 25, 30, 32	
6	plywood		15, 20, 25, 30, 32	
7	Cedar		15, 20, 25, 30, 32	

NO.	Wood	Wood hardness	Length of staple (mm)	Hand Operation
1	Beech Wood	High	15 - 16	 Two hands operation (see picture). One hand operation is not suggested.
2	Oak		15 - 16	
3	Medium Density Fiberboard	Medium	15 - 20	
4	Solid Wood		15 - 20	
5	Pine	Low	15 - 22	
6	plywood		15 - 22	
7	Cedar		15 - 22	

. Nails of different length are applicable for different wood hardness.

. The tool has recoil when firing, so two hands operation is suggested, to have a better control of the operation.

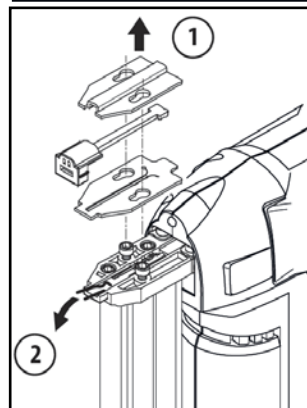
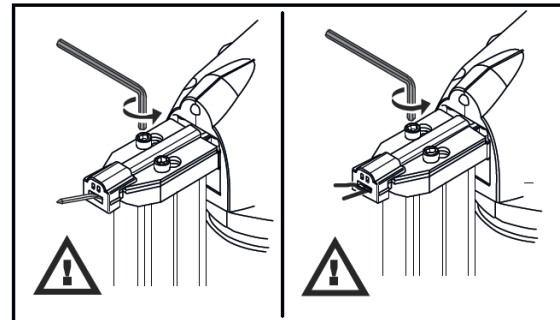
UNBLOCKING JAMMED FASTENERS

. In the unlikely event that nails become jammed, follow these instructions to remove them

! unplug power cord from power source before removing

- Remove the nose tip I
- Remove the plate retaining bolts
- Remove the safety mechanism retaining plate
- Remove the firing pin retaining plate

! Note the location as well as the order in which parts are removed from the tacker, this will make it easier to rebuild it



LUMBERJACK GUARANTEE

1. Guarantee

1.1 Lumberjack guarantees that for a period of 12 months from the date of purchase the components of qualifying products (see clauses 1.2.1 to 1.2.8) will be free from defects caused by faulty construction or manufacture.

1.2. During this period Lumberjack, will repair or replace free of charge any parts which are proved to be faulty in accordance with paragraph 1.1 providing that:

1.2.1 You follow the claims procedure set out in clause 2

1.2.2 Lumberjack and its authorised dealers are given reasonable opportunity after receiving notice of the claim to examine the product

1.2.3 If asked to do so by Lumberjack or its Authorised dealer, you return the product at your own cost to Lumberjack's or supplying Authorised Dealer's premises, for the examination to take place clearly stating the Returns Material Authorisation number given by Lumberjack or an Authorised Dealer.

1.2.4 The fault in question is not caused by industrial use, accidental damage, fair wear and tear, wilful damage, neglect, incorrect electrical connection, misuse, or alteration or repair of the product without approval.

1.2.5 The product has been used in a domestic environment only

1.2.6 The fault does not relate to consumable items such as blades, bearings, drive belts, or other wearing parts which can reasonably be expected to wear at different rates depending on usage.

1.2.7 The product has not been used for hire purposes.

1.2.8 The product has been purchased by you as the guarantee is not transferable from a private sale.

2. Claims Procedure

2.1 In the first instance please contact the Authorised Dealer who supplied the product to you. In our experience many initial problems with machines that are thought to be faulty due to faulty parts are actually solved by correct setting up or adjustment of the machine. A good Authorised Dealer should be able to resolve the majority of these issues much more quickly than processing a claim under the guarantee. If a return is requested by the Authorised Dealer or Lumberjack, you will be provided with a Returns Material Authorisation number which must be clearly stated on the returned package, and any accompanying correspondence. Failure to provide a Returns Material Authorisation number may result in item being refused delivery at Authorised Dealer.

2.2 Any issues with the product resulting in a potential claim under the guarantee must be reported to the Authorised Dealer from which it was purchased within 48 hours of Receipt.

2.3 If the Authorised Dealer who supplied the product to you has been unable to satisfy your query, any claims made under this Guarantee should be made directly to Lumberjack. The Claim itself should be made in a letter setting out the date and place of purchase, giving a brief explanation of the problem which has led to the claim. This letter should be then sent with proof

LUMBERJACK GUARANTEE

of purchase to Lumberjack. If you include a contact number with this it will speed your claim up.

2.4 Please note that it is essential that the letter of claim reaches Lumberjack on the last day of this Guarantee at the latest. Late claims will not be considered.

3. Limitation of Liability

3.1 We only supply products for domestic and private use. You agree not to use the product for any commercial, business or resale purposes and we have no liability to you for any loss of profit, loss of business, business interruption or loss of business opportunity.

3.2 This Guarantee does not confer any rights other than these expressly set out above and does not cover any claims for consequential loss or damage. This Guarantee is offered as an extra benefit and does not affect your statutory rights as a consumer.

4. Notice

This Guarantee applies to all product purchased from an Authorised Dealer of Lumberjack within the United Kingdom. Terms of Guarantee may vary in other countries.

CE DECLARATION OF CONFORMITY

TOOLSAVE

Unit C, Manders Ind. Est.,
Old Heath Road, Wolverhampton,
WV1 2RP.
Tel: 01902 450 470

Declares that the Nail & Stapler (NS18G)

Is in compliance with the regulations included in the Directives:2006/42/EC

EC DECLARATION OF CONFORMITY

Certificate for EC-type examination delivered by Intertek Testing Services Hangzhou,16 No. 1 Ave.,Xiasha Economic Development District, Hangzhou,310018,China. (Verification No.:180300685HZH-V1)

Person who declares: Bill Evans



01.01.2021

The Director

A handwritten signature in black ink, appearing to be 'Bill Evans', written over a faint circular stamp.

Parts List

No.	Description	No.	Description
1	Bumper spring	16	Switch
2	Insurance link 1	17	The trigger spring
3	Trigger limit plate.	18	The trigger
4	Insurance link 2 spring.	19	Cylindrical pin
5	Insurance link 2	20	Guide rail lock
6	Damping set	21	A knob
7	Damping block	22	Knob rotation
8	Magnetic shield gasket.	23	Potentiometer shield.
9	Magnetic shield	24	Cross head self-tapping screw.
10	Insulation gasket	25	Switch
11	Coil components	26	Cross head self-tapping screw.
12	Core spring	27	Line pressing buttons
13	Core pack	28	The power cord
13.1	Laminations	29	Guide rail component
13.2	Absorption of iron core	30	Cylindrical pin
13.3	Elastic cotter pin.	31	Cross head self-tapping screw.
13.4	Open ring	32	Right shell
14	Damping block	33	The left shell
15	Circuit board	34	Lock spring

Parts Diagram

