



ORIGINAL INSTRUCTIONS

INTENDED USE

This Mitre Saw is intended for cutting wood, aluminum alloy and analogue materials, it is suitable for straight and curved cuts having Mitre angles of up to 45°. This saw is not designed for cutting firewood. Do not use machines, tools and accessories for anything other than for what they are designed for.

SPECIFICATIONS

Machine Type	LSM-12DSA
Voltage	AC 240V
Frequency	50Hz
Input Power	1650W
Impact Rate	3400/min
Saw Blade	305mm x 30mm
Maximum Mitre (Left/Right)	50°/ 60°
Maximum Bevel (Left/Right)	45°/ 45°
Weight	25.5Kg
Noise	<ul style="list-style-type: none">• LpA sound pressure level 93 dB(A)• KpA uncertainty 3 dB(A)• LWA sound power level 106 dB(A)• KWA uncertainty 3 dB(A)

INCLUDES

Horizontal Clamp	1
Dust Bag	1
Extension Rails	1 pair
Fence Assembly	1 set
Carbon Brush	1 pair



WARNING!

The noise emissions during actual use of the power tool can differ from the declared values depending on how the tool is used,

NOISE REDUCTION

To reduce the impact of noise emission, limit the time of operation, use low-noise operating modes as well as wearing personal protective equipment. Take the following points into account to minimise the noise exposure risks:

1. Only use the product as intended by its design and these instructions.
2. Ensure that the product is in good condition and well maintained.
3. Use correct application tools for the product and ensure they are in good condition.
4. Keep a tight grip on the handles/grip surface.
5. Maintain this product in accordance with these instructions and keep it well lubricated (where appropriate).
6. Plan your work schedule to spread any high vibration tool use across a number of days.











CUTTING CAPACITY

- Mitre table angles: 0 to 50° to the left & 60° to the right
- Bevel cuts: 0° to 45° to the left & the right

	Mitre 0°	Mitre left 50°	Mitre right 60°
Bevel 0°	Straight Cross Cut	Miter Cut at left	Miter Cut at right
	95mm*350mm	95mm*220mm	95mm*150mm
Bevel left 45°	Bevel Cut at left	Compound cut	Compound cut
	65mm*350mm	65mm*220mm	(Max to 50°)65mm*210mm
Bevel right 45°	Bevel Cut at right	Compound cut	Compound cut
	50mm*350mm	50mm*220mm	50mm*150mm

Safety Instructions

In this operator's manual the following symbols will be used:

SYMBOLS	MEAN	SYMBOLS	MEAN
	Read the instruction manual before use.		Wear glove protection
	Denotes risk of personal injury, loss of life or damage to the tool in case of non-observance of the instructions in this manual.		Wear ear and eye protection
	Wear respiratory protection		Caution! Risk of injury! Do not reach into the running saw blade.
	Double insulated for additional protection.		Accordance with essential applicable safety
	Immediately unplug the plug from the main electricity. To ensure that the cord does not get damaged during maintenance.		Faulty and /or discarded electrical or electronic apparatus has to be collected at the appropriate recycling location.

GENERAL SAFETY INSTRUCTIONS



WARNING! Read all safety warnings instructions, illustrations are provided with this power tool. Failure to follow the warnings and instructions may result in electric shock, fire and/or serious injury.

1) Work area safety

- a) **Keep work area clean and well lit.** *Cluttered and dark areas invite accidents.*
- b) **Do not operate power tools in explosive atmospheres, such as in the presence of flammable liquids, gases or dust.** *Power tools create sparks which may ignite the dust or fumes.*
- c) **Keep children and bystanders away while operating a power tool.** *Distractions can cause you to lose control.*

2) Electrical safety

- a) **Power tool plugs must match the outlet. Never modify the plug in any way. Do not use any adapter plugs with earthed (grounded) power tools.** *Unmodified plugs and matching outlets will reduce risk of electric shock.*
- b) **Avoid body contact with earthed or grounded surfaces such as pipes, radiators, ranges and refrigerators.** *There is an increased risk of electric shock if your body is earthed or grounded.*
- c) **Do not expose power tools to rain or wet conditions.** *Water entering a power tool will increase the risk of electric shock.*
- d) **Do not abuse the cord. Never use the cord for carrying, pulling or unplugging the power tool.** *Keep cord away from heat, oil, sharp edges or moving parts. Damaged or entangled cords increase the risk of electric shock.*
- e) **When operating a power tool outdoors, use an extension cord suitable for outdoor use.** *Use of a cord suitable for outdoor use reduces the risk of electric shock.*
- f) **If operating a power tool in a damp location is unavoidable, use a residual current device (RCD) protected supply.** *Use of an RCD reduces the risk of electric shock.*

3) Personal safety

- a) **Stay alert, watch what you are doing and use common sense when operating a power tool. Do not use a power tool while you are tired or under the influence of drugs, alcohol or medication.** *A moment of inattention while operating power tools may result in serious personal injury.*
- b) **Use safety equipment. Always wear eye protection.** *Safety equipment such as dust mask, non-skid safety shoes, hard hat, or hearing protection used for appropriate conditions will reduce personal injuries.*
- c) **Prevent unintentional starting. Ensure the switch is in the off-position before connecting to power source and/or battery pack, picking up or carrying the tool.** *Carrying power tools with your finger on the switch or energizing power tools that have the switch on invites accidents.*
- d) **Remove any adjusting key or wrench before turning the power tool on.** *A wrench or a key left attached to a rotating part of the power tool may result in personal injury.*
- e) **Do not overreach. Keep proper footing and balance at all times.** *This enables better control of the power tool in unexpected situations.*
- f) **Dress properly. Do not wear loose clothing or jewelry. Keep your hair, clothing and gloves away from moving parts.** *Loose clothes, jewelry or long hair can be caught in moving parts.*
- g) **If devices are provided for the connection of dust extraction and collection facilities, ensure these are connected and properly used.** *Use of these devices can reduce dust related hazards.*

4) Power tool use and care

- a) **Do not force the power tool. Use the correct power tool for your application.** *The correct power tool will do the job better and safer at the rate for which it was designed.*
- b) **Do not use the power tool if the switch does not turn it on and off.** *Any power tool that cannot be controlled with the switch is dangerous and must be repaired.*
- c) **Disconnect the plug from the power source before making any adjustments, changing accessories, or storing power tools.** *Such preventive safety measures reduce the risk of starting the power tool accidentally.*
- d) **Store idle power tools out of the reach of children and do not allow persons unfamiliar with the power tool or these instructions to operate the power tool.** *Power tools are dangerous in the hands of untrained users.*
- e) **Maintain power tools.** *Check for misalignment or binding of moving parts, breakage of parts and any other condition that may affect the power tools operation. If damaged, have the power tool repaired before use. Many accidents are caused by poorly maintained power tools.*
- f) **Keep cutting tools sharp and clean.** *Properly maintained cutting tools with sharp cutting edges are less likely to bind and are easier to control.*
- g) **Use the power tool, accessories and tool bits etc., in accordance with these instructions and in the manner intended for the particular type of power tool, taking into account the working conditions and the work to be performed.** *Use of the power tool for operations different from intended could result in a hazardous situation.*

5) Service

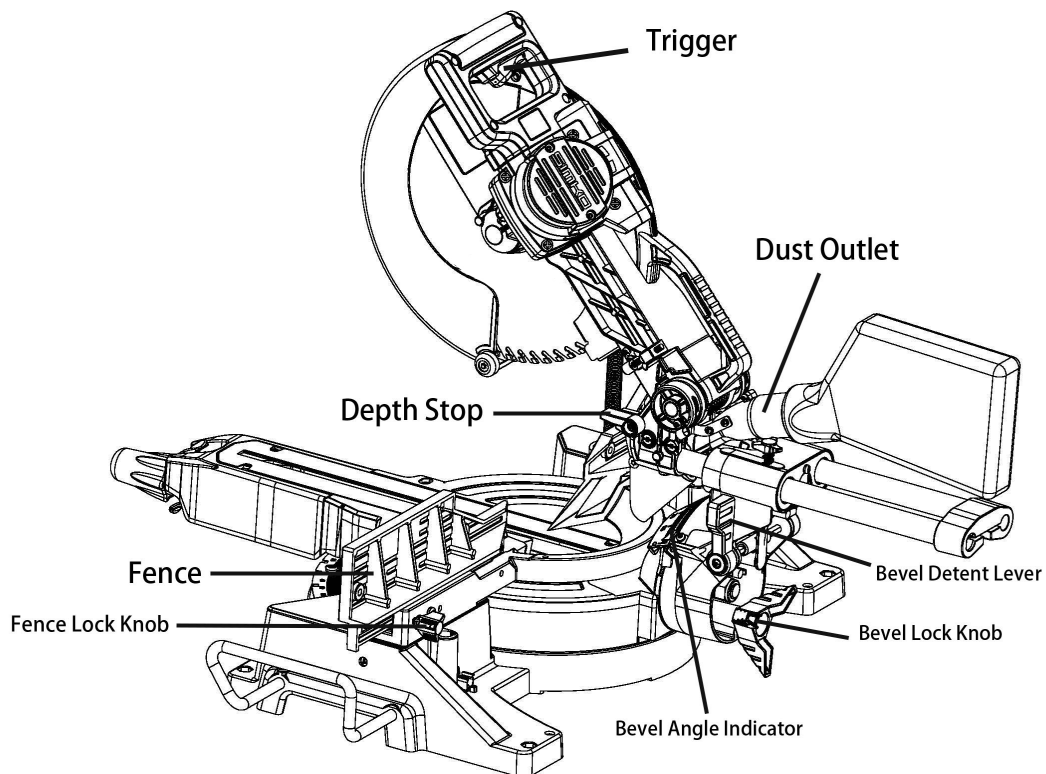
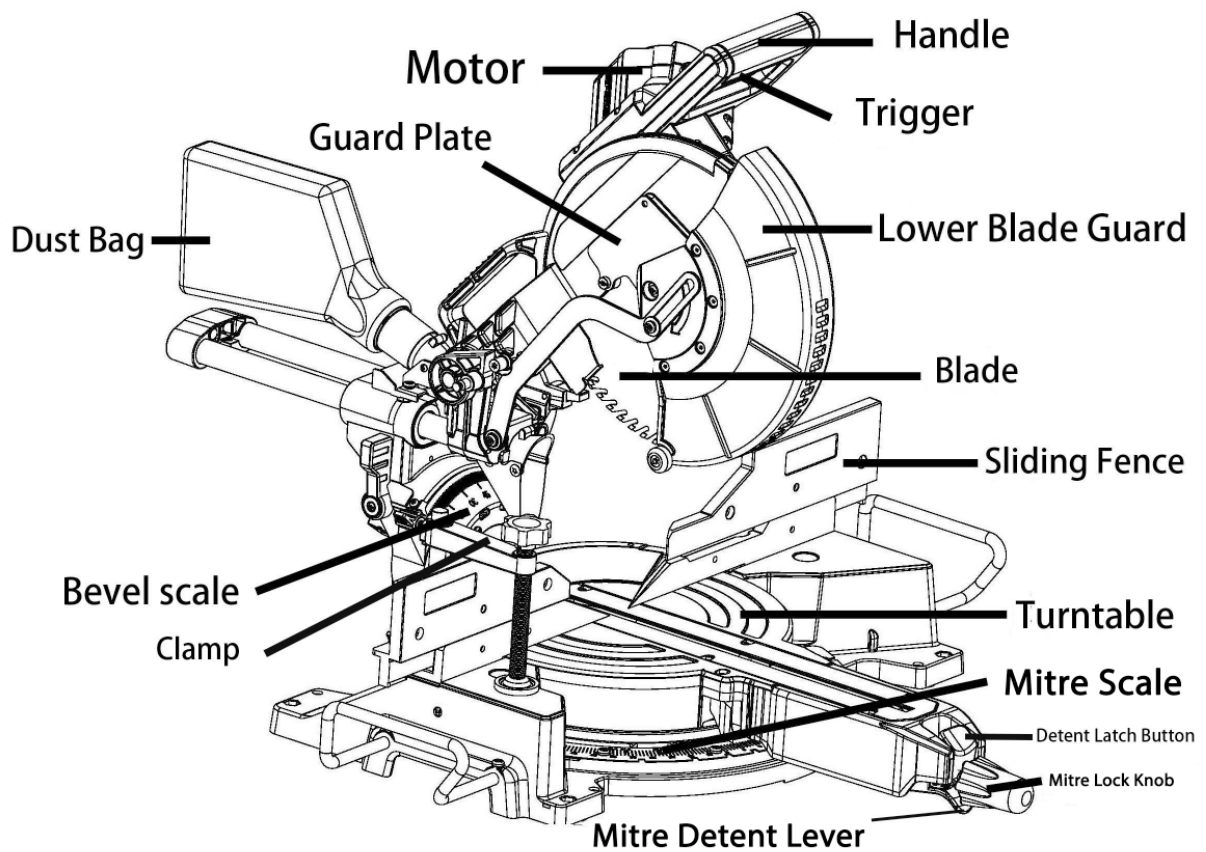
- a) **Have your power tool serviced by a qualified repair person using only identical replacement parts.** *This will ensure that the safety of the power tool is maintained.*

SAFETY REGULATIONS CONCERNING MITRE SAW

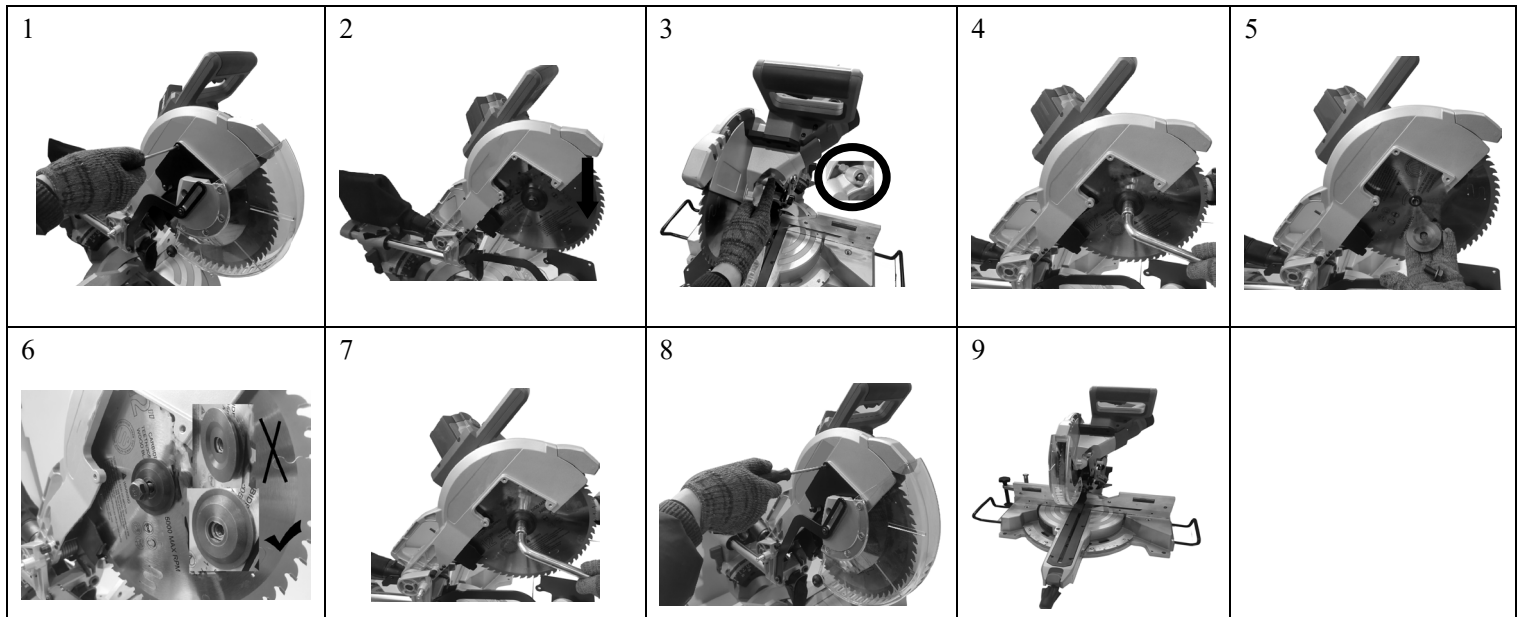
- a) **Mitre saws are intended to cut wood or wood-like products, they cannot be used with abrasive cut-off wheels for cutting ferrous material such as bars, rods, studs, etc.** *Abrasive dust causes moving parts such as the lower guard to jam. Sparks from abrasive cutting will burn the lower guard, the kerf insert and other plastic parts.*
- b) **Use clamps to support the workpiece whenever possible. If supporting the workpiece by hand, you must always keep your hand at least 100 mm from either side of the saw blade. Do not use this saw to cut pieces that are too small to be securely clamped or held by hand.** *If your hand is placed too close to the saw blade, there is an increased risk of injury from blade contact.*
- c) **The workpiece must be stationary and clamped or held against both the fence and the table. Do not feed the workpiece into the blade or cut “freehand” in any way.** *Unrestrained or moving workpieces could be thrown at high speeds, causing injury.*
- d) **Push the saw through the workpiece. Do not pull the saw through the workpiece. To make a cut, raise the saw head and pull it out over the workpiece without cutting, start the motor, press the saw head down and push the saw through the workpiece.** *Cutting on the pull stroke is likely to cause the saw blade to climb on top of the workpiece and violently throw the blade assembly towards the operator.*
- e) **Never cross your hand over the intended line of cutting either in front or behind the saw blade.** *Supporting the workpiece “cross handed” i.e., holding the workpiece to the right of the saw blade with your left hand or vice versa is very dangerous.*

-
- f) Do not reach behind the fence with either hand closer than 100 mm from either side of the saw blade, to remove wood scraps, or for any other reason while the blade is spinning.** *Always make certain that there is no gap between the workpiece, fence and table along the line of the cut. Bent or warped workpieces can twist or shift and may cause binding on the spinning saw blade while cutting. There should be no nails or foreign objects in the workpiece.*
- g) Do not use the saw until the table is clear of all tools, wood scraps, etc., except for the workpiece.** *Small debris or loose pieces of wood or other objects that have contact with the revolving blade can be thrown with high speed.*
- h) Cut only one workpiece at a time.** *Stacked multiple workpieces cannot be adequately clamped or braced and may bind on the blade or shift during cutting.*
- i) Ensure the mitre saw is mounted or placed on a level, firm work surface before use.** *A level and firm work surface reduces the risk of the mitre saw becoming unstable. Every time you change the bevel or mitre angle setting, make sure the adjustable fence is set correctly to support the workpiece and will not interfere with the blade or the guarding system. Without turning the tool with no workpiece on the table, move the saw blade through a complete simulated cut to assure there will be no interference or danger of cutting the fence.*
- j) Provide adequate support such as table extensions, saw horses, etc. for a workpiece that is wider or longer than the table top.** *Workpieces longer or wider than the mitre saw table can tip if not securely supported. If the cut-off piece or workpiece tips, it can lift the lower guard or be thrown by the spinning blade.*
- k) Do not use another person as a substitute for a table extension or as additional support.** *Unstable support for the workpiece can cause the blade to bind or the workpiece to shift during the cutting operation pulling you and the helper into the spinning blade.*
- l) The cut-off piece must not be jammed or pressed by any means against the spinning saw blade.** *If confined, i.e., using length stops, the cut-off piece could get wedged against the blade and thrown violently.*
- m) Always use a clamp or a fixture designed to properly support round material such as rods or tubing.** *Rods have a tendency to roll while being cut, causing the blade to bite and pull the work with your hand into the blade.*
- n) Let the blade reach full speed before contact with the workpiece.** *This will reduce the risk of the workpiece being thrown.*
- o) If the workpiece or blade becomes jammed, turn the mitre saw off. Wait for all moving parts to stop and disconnect the plug from the power source and/or remove the battery pack. Then work to free the jammed material.** *Continued sawing with a jammed workpiece could cause loss of control or damage to the mitre saw.*
- p) After finishing the cut, release the switch, hold the saw head down and wait for the blade to stop before removing the cut-off piece.**

SAW DIAGRAM



INSTALLING OR REPLACING THE BLADE



Make sure that the electrical plug is removed from the power point first, before changing a blade.

1. Loosen but do not remove the three screws on the Guard Plate.
2. Move the Lower Blade Guard downwards.
3. Press the spindle lock button fully and hold it in position.
4. Loosen the open-center shaft bolt.
5. Replace the saw slice after removing the outer flange.
6. Place a new saw blade on the spindle and make sure that the bore of the saw blade properly fits the inner flange. Pay attention to the installation direction of the outer flange.
7. Tighten the spindle bolt until the spindle is locked.
8. Install the Guard Plate and lower blade guard, tighten three screws.
9. Switch the product on and let it run idle for about one minute, to confirm that the saw blade has been installed properly. If you find any abnormal vibration or excessive noise switch the product off and refit the saw blade according to the above instructions.

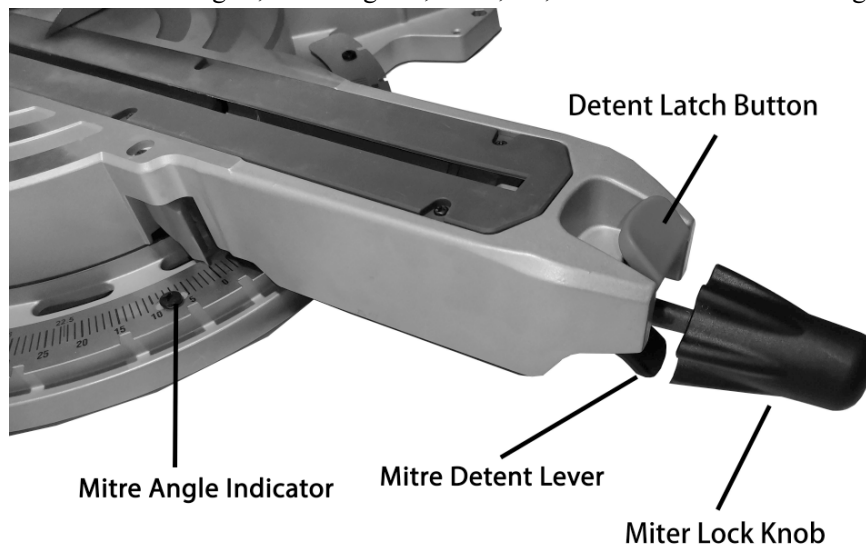
Warning!

- Make sure the blade direction is installed correctly!
- Do not use blades that are deformed or cracked. Make sure to change the blade regularly to ensure a safe cutting operation, or it will cause serious injury to the user.

ADJUSTING THE MITRE ANGLE

A mitre cut is one that is at an angle across the horizontal surface of the material. A 45° miter cuts to join two pieces in a right-angle corner are common. A 30° cut is often used for a scarf joint or to make a chamfered end.

1. Loosen the Mitre Lock Knob by turning it approximately 1/4 turn counterclockwise.
2. Pull up on the Mitre Detent Lever to unlock the Table. While holding the Mitre Detent Lever up, move the Table to the desired angle.
3. The Mitre Angle Indicator will indicate the selected angle. While the Mitre Detent Lever is released, the Table will lock into place at often used mitre angles, including 15°, 22.5°, 30°, and 45° on both left and right sides.

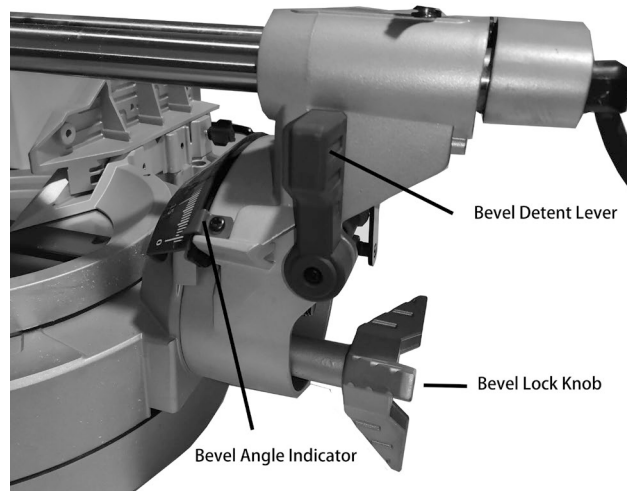


4. To override the pre-set detents (stops) for micro adjustments at any angle, pull up on the Mitre Detent Lever and push the Detent Latch Button forward and latch in place. Release the Mitre Detent Lever and adjust the Table to any position on the miter scale. To disengage pull up on the Mitre Detent Lever to release the Detent Latch Button.
5. Tighten the Mitre Lock Knob after adjusting the miter angle.
6. With the Table adjusted to the desired angle, place the workpiece flush against the Fence, secure it with the Clamp and make the cut.

ADJUSTING THE BEVEL ANGLE

A bevel cut is one that is at an angle vertically. Bevel cuts can be used to mitre relatively wide and thin material. Bevel cuts can be used in combination with a mitre cut to form a compound angle. Compound angle cuts are often used in crown moldings, picture frames and similar trim materials.

1. Loosen the Bevel Lock Knob at the rear of the saw.
2. For micro adjustments at any bevel angle, push the Bevel Detent Lever back until it snaps into place and move the Saw Head Assembly to the desired angle. Read the angle on the Bevel Angle Indicator.

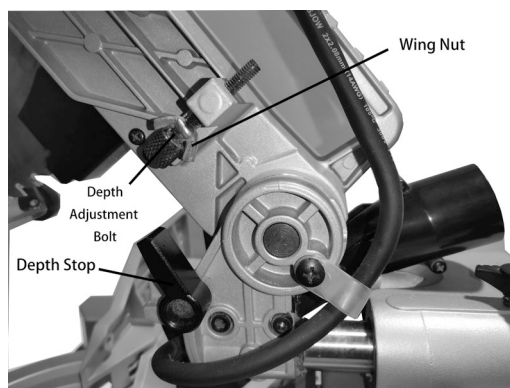


3. To use the pre-set detents (stops), push the Bevel Detent Lever back until the Saw Head Assembly can be moved and then release the Lever. The Saw Head Assembly will lock into place at often used bevel angles, including 22.5°, 33.9°, and 45° on both left and right sides.
4. Lock the Saw Head Assembly into position by rotating the Bevel Lock Knob clockwise. Tighten firmly but do not over-tighten.
5. Make a sample cut in a piece of scrap to confirm that the bevel angle is correct. If not, adjust the angle before cutting.

USING THE DEPTH STOP

If the kerfing does not cut through the workpiece as desired, use the Depth Stop to control the depth of the cut.

1. Pull out the Head Lock-Down Pin and raise the Saw Head Assembly.
2. Rotate the Depth Stop down to a horizontal position to use the Depth Adjustment Bolt setting.
3. Pull down on the Saw Head to check the current setting.



4. To change the setting, first loosen the Wing Nut on the Depth Adjustment Bolt. Turn the Depth Adjustment Bolt clockwise to increase depth and counterclockwise to decrease depth. Tighten the Wing Nut after adjustment.
5. To disengage, rotate the Depth Stop up to its vertical position.

WORKPIECE & WORK AREA SET UP

1. Designate a work area that is clean and well lit. The work area must not allow access to children or pets in order to prevent distraction and injury.
2. Direct the power cord along a safe route to reach the work area without creating a tripping hazard or exposing the power cord to possible damage. The power cord must reach the work area with enough extra length to allow free movement while working.
3. Allow room on both left and right of saw for extended workpieces.
4. Use a saw table, saw stand or other means to support the workpiece. Mount the Mitre Saw so that the surface is level to the ground, and additional supports provide a surface on the same level as the saw table. If the work surface and any workpiece supports are not level, and on the same level, unwanted bevel angles will appear in the cuts resulting in poor joinery.
5. Secure workpieces to the saw table using the Clamp or other clamping devices (not included). Securing the workpiece will provide safety by preventing kick back and by removing the need to hold workpieces near the blade by hand. Clamping the workpiece will also improve cutting accuracy by preventing the workpiece from moving during the cutting operation.

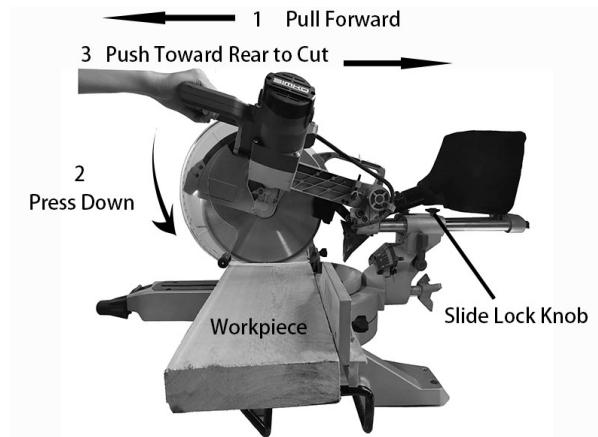
GENERAL OPERATION

WARNING! MITRE SAWS CAN QUICKLY AMPUTATE FINGERS IF USED IMPROPERLY.

Keep your hands away from the cutting area.

1. Press the Saw Head Assembly down and pull out the Head Lock-Down Pin, then release the Saw Head.
2. Blow any sawdust or debris away from the Fence. Place the work material against the Fence.
3. To use the Precision Blade Guide System to align the cut, turn the Blade Guide System Switch to ON.
Pull the Saw Head down until the Saw Blade is close to the workpiece and the Blade's shadow appears on the work material, indicating where the Blade will cut. Align the marked location of the cut on the workpiece with the edge of the Saw Blade shadow.
4. The Saw will also operate without using the Precision Blade Guide System if desired. In that case align the marked location of the cut on the work material with the saw blade. To prevent the workpiece from being cut too short, align the edge of the blade with the measured mark, keeping the rest of the blade on the waste side of the cut.
Note: Keep the work material in place with the Clamp. Check that the work material is level and securely supported. If necessary, use saw horses or other supports.
5. Grip the Saw Handle and squeeze the Trigger to start the Saw.
6. With narrow material, press down lightly to cut the workpiece. Press straight down, “chopping” the material. Do not bear down on the material—use light downward pressure. If the material binds the blade, release the Trigger.
7. With wide material, move the Blade across the workpiece while cutting as follows:
 - a. Loosen Slide Lock Knob and pull Saw Head Assembly forward.
 - b. Press down on the Saw Handle.
 - c. Push the Saw Head towards the rear to make the cut.

Do not bear down on the material—use light downward and lateral pressure. If the material binds to the blade, release the Trigger.



8. When the cut is completed, raise the Saw Head, release the Trigger, and wait for the Blade to stop turning, release the Clamp and remove the workpiece from the Saw.
9. To prevent accidents, turn off the tool and disconnect its power supply after use. Clean, then store the tool indoors out of children's reach.

BEFORE OPERATION

1、 Extension cable

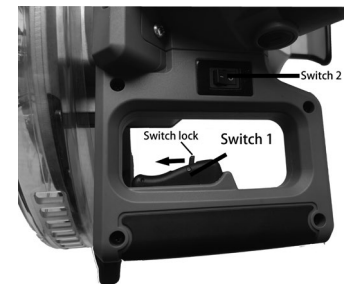
If the workplace is moved to a place away from the power supply, use an extension cable with sufficient capacity and suitable installation.

2、 Switch operation

Pay attention to the voltage of the power supply! The voltage of the power supply must be consistent with the voltage indicated on the power tool.

Switch 1

Turn ON	Flip the switch lock in the direction of the arrow, press the switch down to start the tool.
Turn OFF	Release the trigger switch to close the tool.



Switch 2 PRECISION LED SHADOW LIGHT GUIDE

Press the switch at “I” place to ON, Press at “0” place to OFF.

MAINTENANCE & INSPECTION

CAUTION! Confirm that the switch is disconnected and unplug the power plug from the power socket to avoid serious accidents.

1. Calibrating

a. Calibrating the Mitre Scale

To make accurate cuts, the Saw Blade must be perpendicular (at a 90° angle) to the Fence. To adjust the setting:

1. First unplug the tool.
2. Lower the Saw Head Assembly and lock it in place using the Head Lock-Down Pin.
3. Loosen the Mitre Lock Knob by turning it approximately 1/4 turn counterclockwise.
4. Pull up on the Mitre Detent Lever to unlock the Table and move the Table to the 0° miter position.
5. Release the Mitre Detent Lever to lock the Table in position. Do not tighten the Mitre Lock Knob.
6. Lay a carpenter's square on the Table with one edge along the Blade and the other along the Fence. Any inaccuracy should be visible.

NOTE: The Square must contact the surface of the Blade, not the teeth, for an accurate reading.

7. If the Fence is not perpendicular (at a 90° angle) to the Saw Blade, loosen the four screws holding the Miter Scale.
8. Using the square to measure, move the Table and Scale together left or right until the Blade and Fence are perpendicular to each other, then tighten the four screws.
9. a. Once the Blade and Fence are perpendicular, check the Mitre Angle Indicator and Mitre Scale. The indicator should point to zero. If necessary, loosen the Miter Angle Indicator screw and move the indicator to zero, then tighten.

b. Calibrating the Bevel Angle

For making accurate cuts, the Saw Blade must be adjusted to be exactly vertical to the Table.

2. Tool maintenance

Continued use of blunt instruments will diminish operational efficiency and may result in motor failure.

3. Check mounting screws

Always check whether the mounting screws are fastened properly. If it is found that a screw is loose, it should be re-tightened immediately, otherwise it may cause serious accidents.

4. Check the carbon brush

The carbon brush in the motor is a consumable. Once the carbon brush reaches the wear limit, various obstacles will appear in the motor; if the carbon brush used is "self-stop", the motor will automatically stop rotating. In the case of the above conditions, the carbon brush shall be replaced immediately.

5. Replace carbon brush

- a. Unscrew the brush holder cover;
- b. Take out the carbon brush;
- c. Replace the carbon brush and tighten the brush holder cover;
- d.

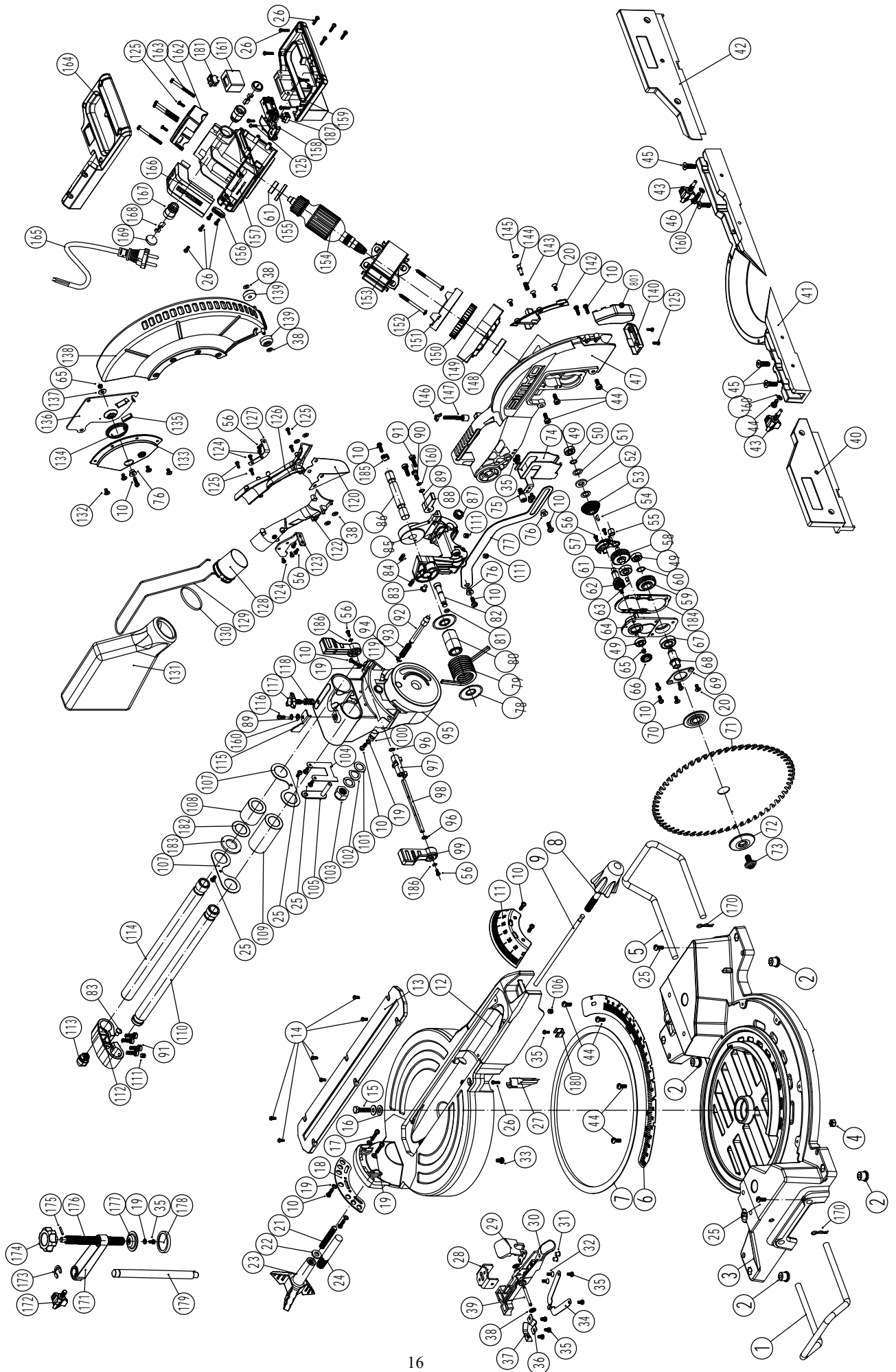
PARTS LIST

Item No	Part	Quantity	Item No.	Part	Quantity
1	Left Base Handle	1	96	Washer	2
2	Foot	4	97	Bevel Clamp	1
3	Base	1	98	Bevel Shaft	1
4	M8 Screw	1	99	Bevel Lock Handle	2
5	Right Base Handle	1	100	Left Bevel Indicator	1
6	Miter Scale	1	101	Washer	2
7	Table Pad	1	102	Waveform Washer	1
8	Miter Lock Knob	1	103	M16 Nut	1
9	rod	1	104	Bevel Detent Plate	1
10	M5x16 Screw	12	105	Detent Shaft Driving Assembly	1
11	Bevel Scale	1	106	M5x8 Screw	1
12	Table	1	107	Bearing Cover	2
13	Kerf Board	1	108	Bearing	1
14	M4x16 Screw	6	109	Bearing	1
15	M8x30 bolt	1	110	Main Sliding Bar	1
16	Φ 8 Washer	2	111	M8x8 Screw	3
17	M5x25 Screw	2	112	Rear Pivot	1
18	Bevel Detent Plate	1	113	Cable Clip	1
19	Φ 5 Washer	4	114	Side Sliding Bar	1
20	M5x13 Screw	5	115	Slide Stop	1
21	Bolt	1	116	M5x12 Screw	1
22	Washer	1	117	Rear Pivot Knob	1
23	Bevel Lock Handle	1	118	Spring	1
24	Bolt	1	119	Right Bevel Indicator	1
25	M6x10 Screw	7	120	Dust Cover	1
26	ST4.2x18 Screw	13	122	Left Dust Cover	1
27	Miter Angle Indicator	1	123	Left Dust Cover Bracket	1
28	Handle Support	1	124	ST4.2x8 Screw	4
29	Detent Latch Button	1	125	ST4.2x12 Screw	6
30	Washer	1	126	Right Dust Cover	1
31	Rivet	2	127	Right Dust Cover Bracket	1
32	M5x8 Screw	2	128	Dust Port	1
33	M6x14 Screw	1	129	Dust Collection Bag Bracket	1
34	Miter Retaining Sheet	1	130	Fastener	1
35	M5x8 Screw	11	131	Dust Collection Bag	1
36	Retaining Sheet	1	132	M5x7.8 Screw	4
37	Spring Sheet	1	133	Lower Guard Bracket	1
38	Nut	8	134	Torsion Spring	1
39	Pin	1	135	Stop Pad	1
40	Left Sliding Fence	1	136	Guard Plate	1
41	Stationery Fence	1	137	Washer	1
42	Right Sliding Fence	1	138	Lower Blade Guard	1
43	Fence Knob	2	139	Lower Guard Pad	2
44	M6x14 Screw	5	140	Baffle	1
45	M8x20 Screw	4	141	Blade Guard Holder	1
46	M6x25 Screw	1	142	Fixing Plate	1
47	Upper Guard	1	143	Spring	1
49	608 Bearing	3	144	Spindle Lock	1
50	C-Ring	1	145	C-Ring	1
51	Washer	2	146	M6 Wing Nut	1
52	Rubber Ring	1	147	M6x44 Screw	1
53	Helical Gear	1	148	6003 Bearing	1
54	Woodruff key	1	149	Motor Front Cover	1
55	Needle Bearing	1	150	Fan	1
56	M4x10 Screw	7	151	Baffle	1
57	Connection Gear plate	1	152	ST4.8x65 Screw	2

PARTS LIST

58	Middle Gear	1	153	Stator	1
59	Gear	1			
60	C-Ring	1	154	Armature	1
61	6000 Bearing	2	155	Magnet Ring	1
62	Connection Gear	1	156	Cord Clip	1
63	Rubber Column	1	157	Motor Housing	1
64	Gear Holder	1	158	Trigger	1
65	M5 jam nut	2	159	Bottom Handle	1
66	Screw Ring	1	160	Washer	1
67	6002 Bearing	1	161	Switch	1
68	Spindle	1	162	Fan Cover	1
69	Cover	1	163	M6x80 Screw	4
70	Inner Flange	1	164	Top Handle	1
71	Blade	1	165	Power Cord	1
72	Outer Flange	1			
73	Arbor Bolt				
74	Lower Guard Bracket	1	166	Speed Adjuster	1
75	M8x15.5 Screw	1	167	Brush Holder	2
76	Bushing	3	168	Brush	2
77	Linkage	1	169	Brush Cover	2
78	Wear Plate	2	170	Split Pins	2
79	Torsion Spring	1	171	Clamp Arm	1
80	Bushing	1	172	Clamp Lock Knob	1
81	O-ring	1	173	E-Ring	1
82	Head Lock-Down Pin	1	174	Clamp Knob	1
83	Washer	2	175	Spring Dowel	1
84	M6x16 Screw	2	176	M16X150 Bolt	1
85	Front Pivot	1	177	Metal Pad	1
86	Shaft	1	178	Bushing	1
87	cable sheath	1	179	Clamp Rod	1
88	Block	1	180	Retaining Sheet	1
89	Washer	1	182	Washer	1
90	M6x16 Screw	1	183	Felt Washer	1
91	M6x20 Screw	6	184	Pad	1
92	Detent Shaft	1	185	Cable Clamp	1
93	Detent Shaft Spring	1	186	Washer	2
94	E type ring	1	187	Terminal Blocks	1
95	Pivot	1	801	Blade Guide Holder Assembly	1

ASSEMBLY DIAGRAM



We Importer:

TOOLSAVE LTD

Unit C, Manders Ind. Est.,
Old Heath Road, Wolverhampton,
WV1 2RP.

Declare that the product:

**Designation: 12" PROFESSIONAL MITRE SAW
Model: SM-12DSA**

Complies with the following Directives:

Electromagnetic Compatibility Directive

Restrictions of the use of Hazardous Substances in Electrical Equipment

Waste Electrical and Electronic Equipment

Standards & technical specifications referred to:

EN-55014-1:2021

EN 55014-2:2021

EN 61000-3-2:2019+A1

EN 61000-3-3:2013+A1+A2

Authorized Technical File Holder: Bill Evans

14/08/2023

The Director

