

ORIGINAL INSTRUCTIONS

SAFETY WARNINGS & INSTRUCTIONS

SYMBOL AFFIXED TO THE MACHINE

● UNDERSTAND YOUR MIXER

Read and understand the owner's manual and labels that are fixed to the mixer. Learn its application and limitations as well as the specific potential hazards peculiar to it. Become familiar with the controls before operating this mixer.



● STAY ALERT

Do not operate the mixer while under the influence of drugs, alcohol, or any other medication that could affect your ability to use it properly.

Do not use this mixer when you are tired or distracted from the job at hand. Watch what you are doing at all times. Use common sense.

● AVOID DANGEROUS CONDITIONS

Make sure there is adequate surrounding workspace. Keep your work area clean and well visible. Cluttered areas invite injuries. Keep area around the mixer clear of obstructions, grease, oil, trash and other debris which could cause people to fall onto moving parts.

Only use or operate the mixer on solid, flat, level ground that is capable to support the weight of the mixer and its load to prevent the mixer from tipping over.

Do not attempt to move the mixer when it is loaded and/or in operation.

This mixer is intended for the production of concrete, mortar and plaster. It is not suitable for the mixing of flammable or explosive substances. Do not use it in areas where fumes from paint, solvents or flammable liquids pose a potential hazard.



● INSPECT YOUR MIXER

Check your mixer before turning it on. Do not plug in the mixer with the motor cover off. Check all bolts, nuts, and screws for tightness before each use, especially those that drive the mechanisms. Vibration during mixing may cause these to loosen.

Form a habit of checking to see that all the adjusting tools, shovels, hand trowels and other tools/equipments are removed from the around the mixer before turning it on.

Replace damaged, missing or failed parts before using it. Warning labels carry important information. Replace any missing or damaged warning labels.



● RECYCLING AND DISPOSAL

This marking indicates that this product should not be disposed with other household wastes. To prevent possible harm to the environment or human health from uncontrolled waste disposal, recycle it responsibly to promote the sustainable reuse of material resources.



I DRESS PROPERLY

Do not wear loose clothing, gloves or jewelry (rings, wrist watches). They can be caught in moving parts. Protective non-conductive gloves and non-skid footwear are recommended when working. Wear protective hair covering to contain long hair, preventing it from getting caught in machinery. Wear a face or dust mask if the operation is dusty. Always wear safety goggles and/or face shields. Everyday eyeglasses have only impact resistant lenses. They are not safety glasses.

**I DO NOT ABUSE CORD**

Never carry by the cord or yank it to disconnect it from the socket. Keep cord from heat, oil and sharp edges.

I EXTENSION CORDS

Extension cords must be no longer than 50 meters in length. The wire section must be 1.5mm² on 230V to allow sufficient current flow to the motor. Improper use of extension cords may cause inefficient operation of the mixer which can result in overheating and motor damage.

Only extension cords to H07RN-F specification intended for outdoor purpose may be used. Avoid use of free and inadequately insulated connections. Connections must be made with protected material suitable for outdoor use. Make sure that any extension cord connections are dry and safe.

Ensure that the extension cord is carefully laid out avoiding liquids, sharp edges and places where vehicles might run over it. Avoid allowing the extension cord to be trapped underneath the mixer. Unroll it fully or it will overheat and could catch fire.

I AVOID ELECTRICAL SHOCK

Check that the electric circuit is adequately protected and that it corresponds with the power, voltage and frequency of the motor.

Do not plug or unplug the motor while standing in or around damp or wet ground. Do not use the mixer in wet or damp areas or expose it to rain.

Prevent body contact with grounded surfaces: pipes, radiators, ranges, and refrigerator enclosures.

Make sure your fingers do not touch the plug's metal prongs when plugging or unplugging the mixer.

After installation, the degree of protection for the BSI approved plug and socket combination shall be IP44D at least.

Note:

IP4XD means: the access probe of 1.0 mm diameter, 100 mm length, shall have adequate clearance from hazardous parts.

SAFETY WARNINGS & INSTRUCTIONS

SYMBOLS

IPX4 means: water splashed against the enclosure from any direction shall have no harmful effects.

I KEEP VISITORS AND CHILDREN AWAY

Keep unauthorised persons away from the mixer.

Do not allow children to handle or climb on or in the mixer.

I DO NOT OVERREACH

Keep proper footing and balance at all times when loading or unloading the mixer.

Never stand on the mixer. Serious injury could occur if the mixer is tipped or if the moving parts are unintentionally contacted. Do not store anything above or near the mixer where anyone might stand on the mixer to reach them.

I AVOID INJURY FROM UNEXPECTED ACCIDENT

Keep hands out of the way of all moving parts. Do not place any part of your body or any tool, like shovel in the drum during operation. When operating, do not pass hands through the clearance between frame and support leg or the one between the drum and support leg.

I DO NOT FORCE THE TOOL

It will do a better and safer job at its design rate. Always work within the rated capacity.

Do not start the mixer if the drum is fully loaded. Do not turn the mixer off while full of concrete.

Do not use the mixer for a purpose for which it was not intended.

The mixer is not to be towed by any vehicle.

I NEVER LEAVE MIXER RUNNING UNATTENDED

Do not leave the mixer until it has come to a complete stop.

I DISCONNECT POWER

Never open the motor cover before unplugging the mixer. Disconnect from power supply when not in use, before moving, making adjustments, changing parts, cleaning, or working on the mixer.

I MAINTAIN YOUR MIXER WITH CARE

Clean the mixer immediately after use. Keep the mixer clean for best and safest performance.

When maintaining this mixer, only the original replacement parts should be used.

I PROTECT THE ENVIRONMENT

Take left over materials to an authorised collection point or follow the stipulations in the country where the mixer is used. Do not discharge into drains, soil or water.

I STORE IDLE EQUIPMENT

When not in use, the mixer should be stored in a dry location to inhibit rust. Keep the mixer away from children and others not qualified to use it.



TABLE OF CONTENTS

Safety Warnings & Instructions	3
Electrical Connection	6
Specifications.....	6
Contents of Shipping Container	7
Assembly Instructions	7
Operation Instructions	9
Maintenance Instructions	10
Wiring Diagram	10
Parts Schematic	11

ELECTRICAL CONNECTION

This mixer is double insulated to Class II protection and IP44D rated. The insulation will only remain effective if the original insulating parts are used for repairs and the spaces between the original insulation are maintained.



This mixer is double insulated to Class II protection and IP44D rated. Assembly and disassembly of the enclosure of electric control are critical to keep them to remain effective.

Double insulation eliminates the need for the three-wire grounded power cord and grounded power supply system. Double insulated tools can use either a two or three wire extension cord.



Make sure that the motor is switched off before you plug it into the power supply.

If using an extension cable, plug it directly into the RCD.

When operating in Switzerland, plug the mixer only in sockets protected by fault current breaker.

SPECIFICATIONS

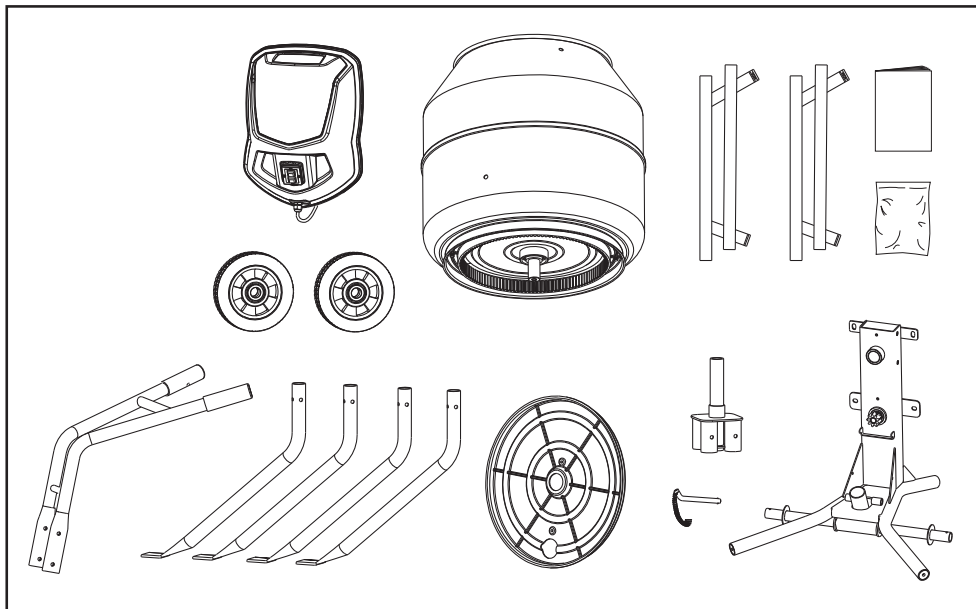
Motor	550W S6 30%	
Drum Capacity	135 Liters	
Drum Mouth	385 mm	
Drum Speed	25 / min	
Overall Sizes	L	1180 mm
	W	940 mm
	H	1300 mm
Weight	48 kg	

*

S6 30%, continuous operation periodic duty: time of one load cycle is 10 minutes, operation time at constant load is 3 minutes, operation time at no-load is 7 minutes.

Sound Pressure Level LPA	86 dB(A)
Uncertainty Kpa	3 dB
Sound Power Level LWA	93 dB(A)
Uncertainty Kpa	3 dB

CONTENTS OF THE MIXER

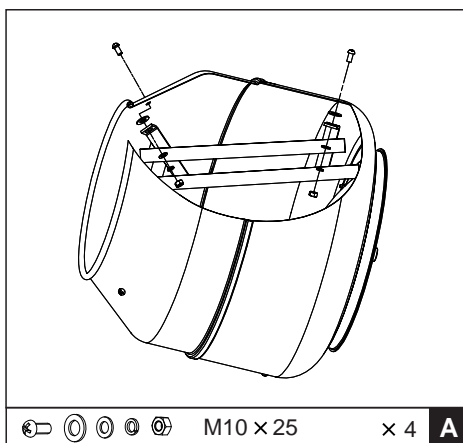


	M10 x 25	x 4	A
	M6 x 20	x 2	
	M12 x 30	x 1	
		x 2	B
	M8 x 25	x 4	C
	M8 / Ø8	x 4	D
		x 2	E
		x 2	

ASSEMBLY INSTRUCTIONS

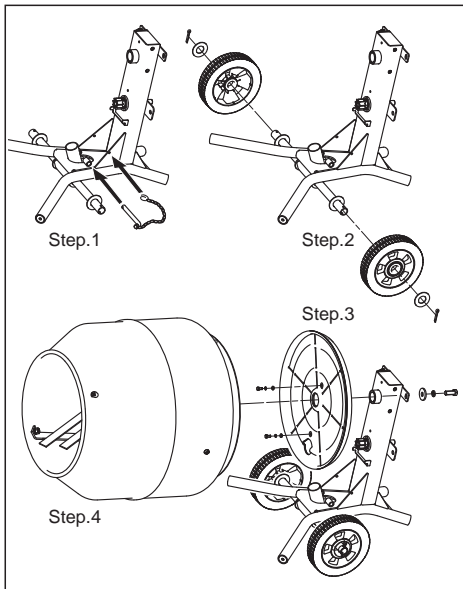


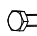


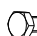




Two people assist in assembly recommended.



M10 x 25 x 4 **A**

1. Insert the cross headed screws from the outside through the holes in the drum.
2. Place a lock washer inside between the drum and blade and secure the mixing blade from the inside using a flat washer, lock washer and nut.

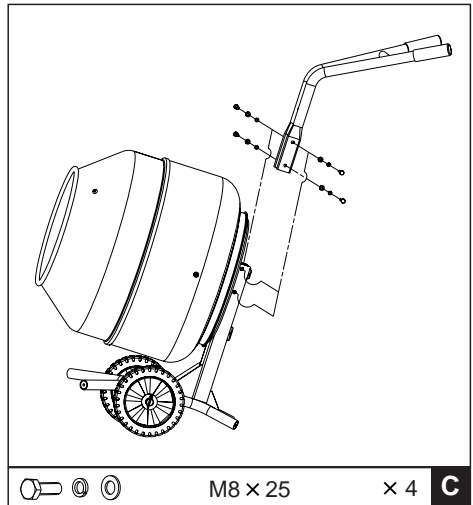


			M6 x 20	x 2
			M12 x 30	x 1
				x 2

B

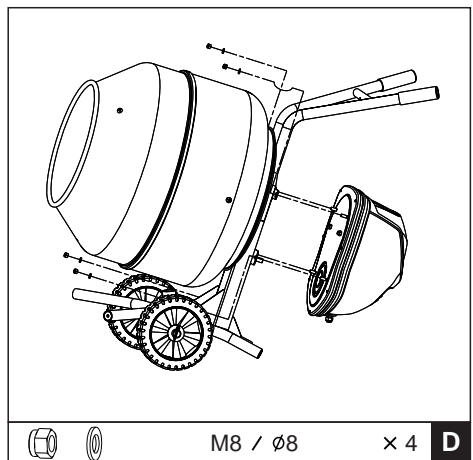
1. Rotate the chain end ring into one hole in the triangle support. Then insert the pin rod into the two tubes in order from the same side of the hole that connects chain to the opposite.
2. Slide the wheels over the stub axles. Secure each wheel with a flat washer and hairpin retainer.
3. Lining up the holes in the plastic bottom plate with the ones in the frame. Secure the plate on the frame with two M6x20 bolts each with a lock washer and flat washer.

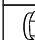
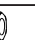
4. Position the drum onto the plastic bottom plate as shown. Hold it in place and secure it with a M12x30 bolt with lock washer and flat washer.



			M8 x 25	x 4	C
---	---	---	---------	-----	----------

Lining up the holes in the handle bar with the ones in the support frame. Secure them together with bolts, lock washers and flat washers.

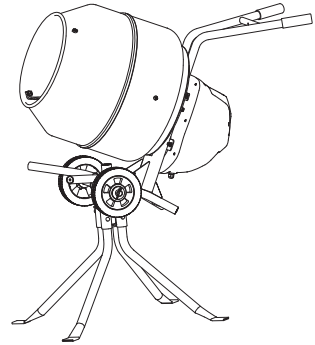


			M8 / Ø8	x 4	D
---	---	--	---------	-----	----------

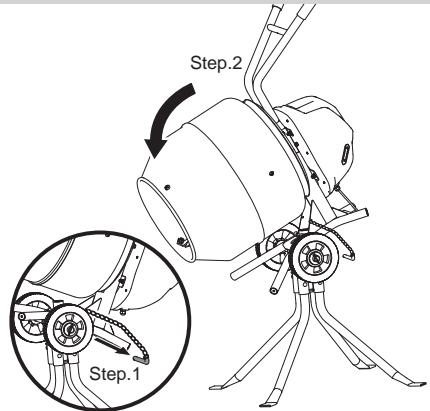
Lining up the keyways, slide the motor case over the pinion shaft. Secure a nut with a flat washer on each of the four stub bolts.

OPERATION INSTRUCTIONS

LOADING / MIXING



EMPTYING



LOADING



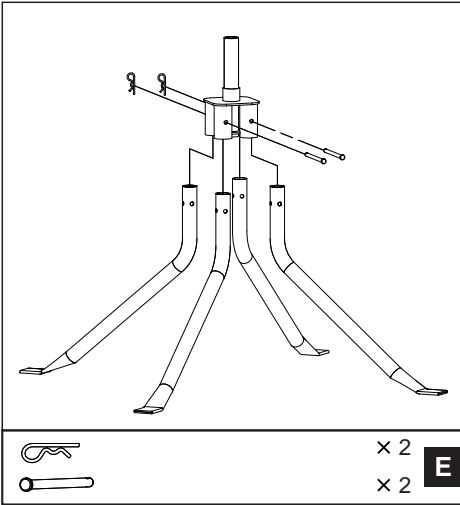
Completely unwind the extension cord. Connect it to the cement mixer first before plugging into the power supply.



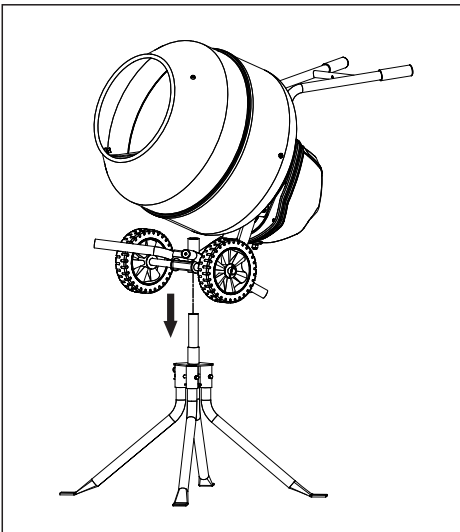
Always start the mixer before loading the drum. Loading the drum with drum rotating.



Do not throw material into the mixer to avoid sticking firmly to the back of the drum. Trickle it steadily over the ram.



Insert the support legs into the bracket and secure them together with a shaft and hairpin.



Put the already made support stand into the hole in the axle bracket as shown.

NOTE: A built-in thermal protector is arranged in the motor to prevent it from overheating. The thermal protector restores automatically when the motor cools down.

For best results, proceed as follows:

1. Add the required amount of gravel into the drum.
2. Add the required amount of cement into the drum.
3. Add the required amount of sand into the drum.
4. Pour the required amount of water into the drum.

EMPTYING



Do not turn the mixer off while full of load. Empty the drum with drum rotating.

MAINTENANCE INSTRUCTIONS



Before starting any maintenance or repairs, stop engine or switch off motor, and isolate from the main power supply.



On completion of maintenance, check that the mixer functions correctly.

CLEANING



Never put your hands inside the drum while the drum is rotating.

Thoroughly clean the mixer at the end of each day's operation. Keep your mixer clean. The slightest trace of material left in the drum will harden and attract more each time you use it until the machine is useless. Dried cement should be scraped out of the drum. Do not throw bricks into the mixer drum to clean it out.

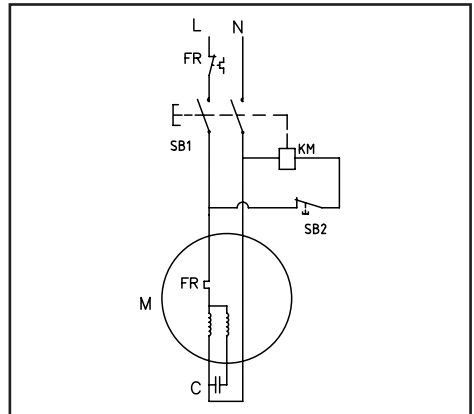


Do not pour or spray water directly over the motor cover, especially the openings in it.



Wipe off any external material on the motor. Do not use petrol, turpentine, lacquer or paint thinner, dry cleaning fluids or similar products.

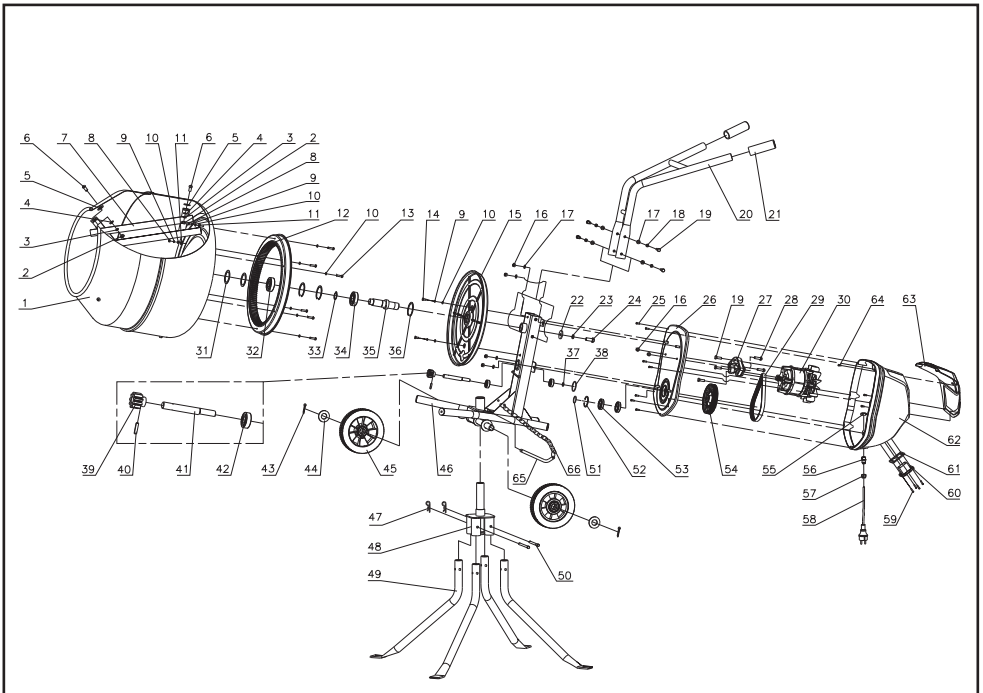
WIRING DIAGRAM



INFORMATION

Motor	Highest of the a-weighted emission sound pressure level (db)/position (start/ loading/operation wheel)	A-weighted sound power level	Rated capacity of mixer (l)	Rated speed of drum /min
ECM550	86 /loading	93	135	25

MIXER DIAGRAM



PARTS LIST

No.	Description	Q'ty
1	Drum	1
2	Nut M 10	4
3	Spring Washer 10	4
4	Washer 10	4
5	Leather Washer \varnothing 10	4
6	Screw M10x25	4
7	Mixing Blade	2
8	Nut M6	6
9	Spring Washer 6	8
10	Washer 6	14
11	Leather Washer \varnothing 6	6
12	Big Cogwheel	1
13	Bolt M6x25	6
14	Bolt M6x20	2
15	Plastic Rotator	1
16	Locknut M8	6
17	Washer 8	8
18	Spring Washer 8	4
19	Bolt M8x25	7
20	Handle	1
21	Handle Grip \varnothing 32	2
22	Washer	1
23	Spring Washer 12	1
24	Bolt M12x30	1
25	Self-tapping Screw ST4.2x16	7
26	Motor End Plate	1
27	Motor Seat	1
28	Bolt M8x30	2
29	Belt 6PJ-L540	1
30	Motor	1
31	Adjusting Washer	2
32	Bearing 6305-2RS	1
33	Circlip 30	1
34	Bearing 6206-2RS	1
35	Drum Rotating Shaft	1
36	Circlip 62	3
37	Circlip 15	1
38	O-Ring 41.5x2.65	1
39	Drive Pinion	1
40	Pin 6x25	1

No.	Description	Q'ty
41	Drive Pinion Shaft	1
42	Bearing 6202-2RS	2
43	Cotter Pin \varnothing 5x40	2
44	Flat Washer	2
45	Wheel	2
46	Frame	1
47	Elastic Latch \varnothing 3	2
48	Leg Connection Bracket	1
49	Support Leg	4
50	Latch \varnothing 10X126	2
51	Wire Snap Ring for Shaft	1
52	Circlip for Hole	1
53	Bearing 61906-2RS	2
54	Big Pulley	1
55	Strain Relief Nut	1
56	Strain Relief Bolt	1
57	Strain Relief Locknut	1
58	Plug	1
59	Self-tapping Screw ST3.5x16	4
60	Switch	1
61	Switch Washer	1
62	Motor Cover	1
63	Decorative Cover (Optional)	1
64	Self Tapping Screw ST4.2x13 (Optional)	3
65	Steel Ball pin	1
66	Pin Chain	11

We Importer:

TOOLSAVE LTD

Unit C, Manders Ind. Est.,
Old Heath Road, Wolverhampton,
WV1 2RP.

Declare that the product:

**Designation: Electric Cement Mixer
Model: ECM550**

Complies with the following Directives:

Electromagnetic Compatibility Directive - **2004/108/EC**
Machine Directive - **2006/42/EC**

Restrictions of the use of Hazardous Substances in Electrical Equipment - **2011-65/EU**
Waste Electrical and Electronic Equipment - **2012/19/EU**

Standards & technical specifications referred to:

EN IEC 55014-1:2021
EN IEC 61000-3-2:2019+A1
EN 61000-3-3:2013+A1
EN IEC 55014-2:2021

Authorized Technical File Holder: Bill Evans

26/06/2023

The Director



