



**SAFETY AND OPERATING MANUAL**  
**300MM DOVETAIL JIG**  
**DTJ300-600**



**ORIGINAL INSTRUCTIONS**



**DTJ300-600**

# TABLE OF CONTENTS

## Welcome to Lumberjack!

Dear customer, Congratulations on your purchase. Before using the Product for the first time please be sure to read these instructions for use. They provide you with all information necessary for using the product safely and to ensure its long service life.

Closely observe all safety information in these instructions!

<b>General Power Tool Safety Warnings.....</b>	<b>01</b>
<b>Symbols &amp; Cable Rating Chart .....</b>	<b>04</b>
<b>Machine Details and Product features.....</b>	<b>05</b>
<b>Assembly.....</b>	<b>06</b>
<b>Operation.....</b>	<b>07</b>
<b>Working advice &amp; Maintenance and Service.....</b>	<b>09</b>
<b>Lumberjack Guarantee.....</b>	<b>10</b>
<b>Parts List &amp; Diagram.....</b>	<b>12</b>



**DTJ300-600**

# GENERAL POWER TOOL SAFETY WARNINGS

**WARNING Read all safety warnings and all instructions.** Failure to follow the warnings and instructions may result in electric shock, fire and/or serious injury.

**Save all warnings and instructions for future reference.** The term "power tool" in the warnings refers to your electric (corded) power tool or battery-operated (cordless) power tool.

## 1. Work area safety

**a) Keep work area clean and well lit.** Cluttered or dark areas invite accidents.

**b) Do not operate power tools in explosive atmospheres, such as in the presence of flammable liquids, gases or dust.** Power tools create sparks which may ignite the dust or fumes.

**c) Keep children and bystanders away while operating a power tool.** Distractions can cause you to lose control.

## 2. Electrical safety

**a) Power tool plugs must match the outlet. Never modify the plug in any way. Do not use any adapter plugs with grounded power tools.** Unmodified plugs and matching outlets will reduce risk of electric shock.

**b) Avoid body contact with grounded surfaces, such as pipes, radiators, ranges and refrigerators.** There is an increased risk of electric shock if your body is grounded.

**c) Do not expose power tools to rain or wet conditions.** Water entering a power tool will increase the risk of electric shock.

**d) Do not abuse the cord. Never use the cord for carrying, pulling or unplugging the power tool. Keep cord away from heat, oil, sharp edges or moving parts.** Damaged or entangled cords increase the risk of electric shock.

**e) When operating a power tool outdoors, use an extension cord suitable for outdoor use.** Use of a cord suitable for outdoor use reduces the risk of electric shock.

**f) If operating a power tool in a damp location is unavoidable, use a residual current device (RCD) protected supply.** Use of an RCD reduces the risk of electric shock.

## 3. Personal safety

**a) Stay alert, watch what you are doing and use common sense when operating a power tool. Do not use a power tool while you are tired or under the influence of drugs, alcohol or medication.** A moment of inattention while operating power tools may result in serious personal injury.

**b) Use personal protective equipment. Always wear eye protection.** Protective equipment such as dust mask, non-skid safety shoes, hard hat, or hearing protection used for appropriate conditions will reduce personal injuries.

**c) Prevent unintentional starting. Ensure the switch is in the off position before connecting to power source and/or battery pack, picking up or carrying the tool.** Carrying power tools with your finger on the switch or energising power tools that have the switch on invites accidents.

**d) Remove any adjusting key or wrench before turning the power tool on.** A wrench or a key left attached to a rotating part of the power tool may result in personal injury.

# GENERAL POWER TOOL SAFETY WARNINGS

**e) Do not overreach. Keep proper footing and balance at all times.** This enables better control of the power tool in unexpected situations.

**f) Dress properly. Do not wear loose clothing or jewellery. Keep your hair, clothing and gloves away from moving parts.** Loose clothes, jewellery or long hair can be caught in moving parts.

**g) If devices are provided for the connection of dust extraction and collection facilities, ensure these are connected and properly used.** Use of dust collection can reduce dust-related hazards.

## 4. Power tool use and care

**a) Do not force the power tool. Use the correct power tool for your application.** The correct power tool will do the job better and safer at the rate for which it was designed.

**b) Do not use the power tool if the switch does not turn it on and off.** Any power tool that cannot be controlled with the switch is dangerous and must be repaired.

**c) Disconnect the plug from the power source and/or the battery pack from the power tool before making any adjustments, changing accessories, or storing power tools.** Such preventive safety measures reduce the risk of starting the power tool accidentally.

**d) Store idle power tools out of the reach of children and do not allow persons unfamiliar with the power tool or these instructions to operate the power tool.** Power tools are dangerous in the hands of untrained users.

**e) Maintain power tools. Check for misalignment or binding of moving parts, breakage of parts and any other condition that may affect the power tool's operation. If damaged, have the power tool repaired before use.** Many accidents are caused by poorly maintained power tools.

**f) Keep cutting tools sharp and clean.** Properly maintained cutting tools with sharp cutting edges are less likely to bind and are easier

**g) Use the power tool, accessories and tool bits etc. in accordance with these instructions, taking into account the working conditions and the work to be performed.** Use of the power tool for operations different from those intended could result in a hazardous situation.

## 5. Service

**a) Have your power tool serviced by a qualified repair person using only identical replacement parts.** This will ensure that the safety of the power tool is maintained.

**b) If the replacement of the supply cord is necessary, this has to be done by the manufacturer or its agent in order to avoid a safety hazard.**

## 7. Additional Safety and working Instructions

**7.1. Dust from materials such as lead-containing coatings, some wood types, minerals and metals can be harmful to one's health and cause allergic reactions, leading to respiratory infections and/or cancer.** Materials containing asbestos may only be worked by specialists. Observe the relevant regulations in your country for the materials to be worked.



# GENERAL POWER TOOL SAFETY WARNINGS

**7.2. Prevent dust accumulation at the workplace.** Dust can easily ignite.

## **8. Additional Safety and Working Instructions**

**8.1 Dusts from materials such as Lead-containing coatings, some wood types, minerals and metals can be harmful to one's health and cause allergic reactions, leading to respiratory infections and/or cancer.**

Materials containing asbestos may only be worked by specialists. Observe the relevant regulations in your country for the materials to be worked.

**8.2 Prevent dust accumulation at the workplace.** Dusts can easily ignite.

## **9. Using an Extension Cable.**

**9.1. If an extension cable is required, use an approved triple core extension cable suitable for the power input of the tool.**

**9.2. Grounded tools always require a three wire extension cable.**

**9.3. As the distance from the supply outlet increases you must use a heavier gauge extension cable. Using extension cables with inadequately sized wire causes a serious drop in voltage, resulting in loss of power and possible tool damage.**

**9.4. The smaller the gauge number of the wire the greater the capacity of the cord.**

**9.5. When using a cable reel, always unwind the cable completely.**

# SYMBOLS AND POWER RATING CHART



**Danger! – Read the operating instructions to reduce the risk of injury.**



**Caution! Wear safety goggles.**



**Caution! Wear ear defenders. The impact of noise can cause damage to hearing.**



**Caution! Risk of Injury! Do not reach into the running saw blade.**



**Caution! Wear a dust mask.**

Amperes	7.5M	15M	25M	30M	45M	60M
0 – 2.0	6	6	6	6	6	6
2.1 – 3.4	6	6	6	6	6	6
3.5 - 5.0	6	6	6	6	10	15
5.1 – 7.1	10	10	10	10	15	15
7.1 – 12.0	15	15	15	15	20	20
12.1 – 20.0	20	20	20	20	25	-

# MACHINE DETAILS AND PRODUCT FEATURES

## Machine Details

### Specifications:

Min Thickness of Work piece - 8mm

Max Thickness of work piece - 32mm

Max Width of Work Piece:

DTJ300 - 300mm

DTJ600 - 600mm

Max Offset Capacity - 25mm

### Package Contents:

Dovetail Jig

½" Template

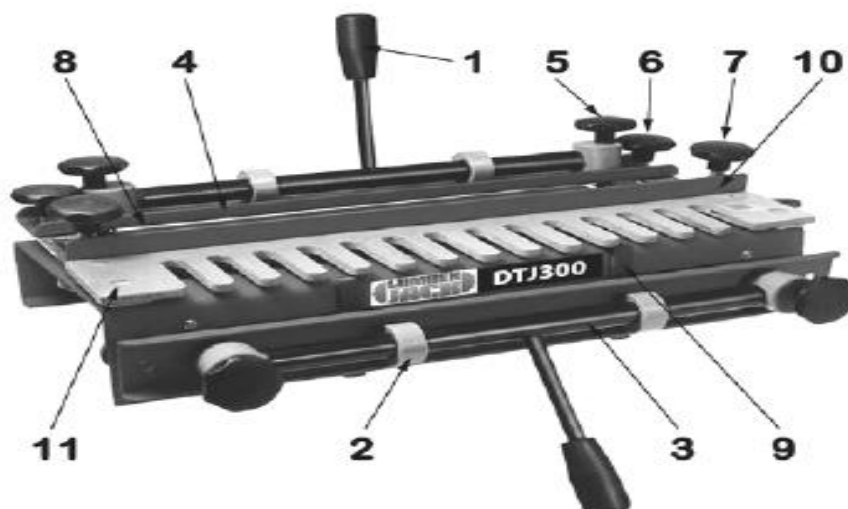
¼" Dovetail Cutter

## Product Features

1. Locking Clamp Handle
2. Eccentric Cam
3. Eccentric Bar
4. Clamp
5. Clamp adjusting Screw
6. Template Securing Screw
7. Backstop Locking Screw
8. Horizontal Stop
9. Vertical Stop
10. Back Stop
11. Template

## Intended Use

This jig is intended to cut both male and female dovetail joints into wood and wood like materials.



# ASSEMBLY

**Avoid unintentional starting of the machine. During assembly and for all work on the machine, the power plug must not be connected to the mains supply.**

Carefully remove all parts included in the delivery from their packaging.

Remove all packaging material from the machine and the accessories provided.

Before starting the operation of the machine for the first time, check if all parts listed in the box content section have been supplied.

**Note:** Check the power tool for possible damage. Before further use the machine, check that all protective devices are fully function. Any lightly damaged parts must be carefully checked to ensure flawless operation of the tool. All parts must be properly mounted and all conditions fulfilled that ensure faultless operation.

Damaged protective devices and parts must be immediately replaced by an authorised service centre.

## Assembling the Jig

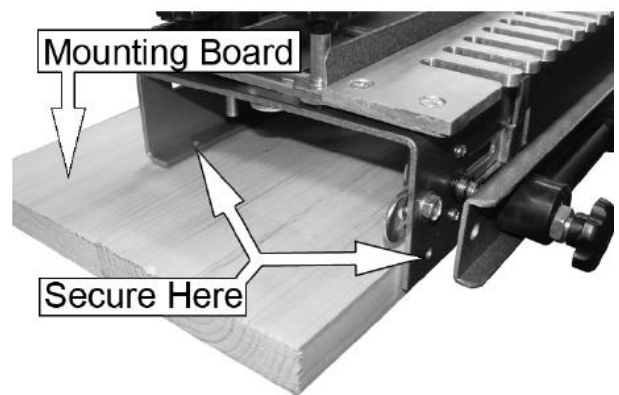
Screw the front and top handles into the eccentric bars.

– The work pieces will be locked when the top locking clamp handle is pushed away from you and when the lower locking clamp handle is pushed downwards.

## Mounting the Jig

There are four holes provided in the base for mounting the jig.

- Mount the jig to a bench as shown and secure using suitable screws (not supplied).
- The jig must be mounted flush with the front edge of the workbench.
- Make sure there is enough space behind the jig to accommodate the longest length of timber you are likely to work on.



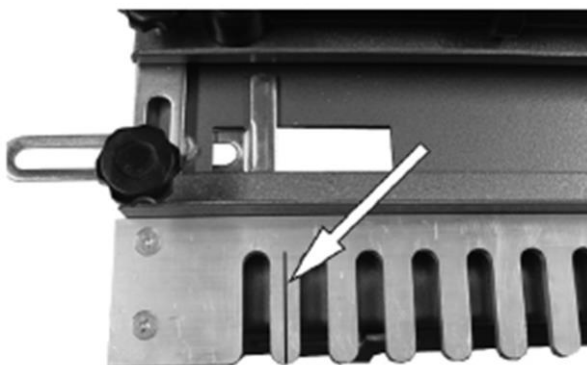


# OPERATION

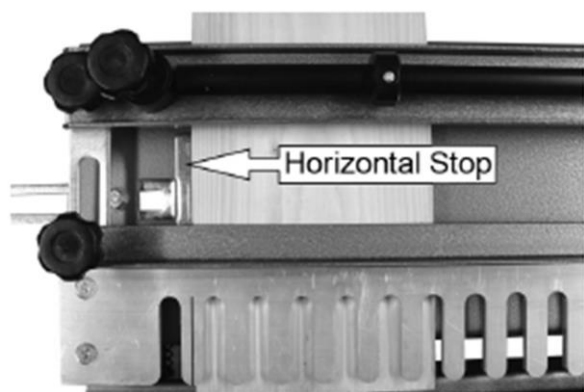
Before any work on the machine itself, remove the mains plug from outlet.

## Setting the End Stops

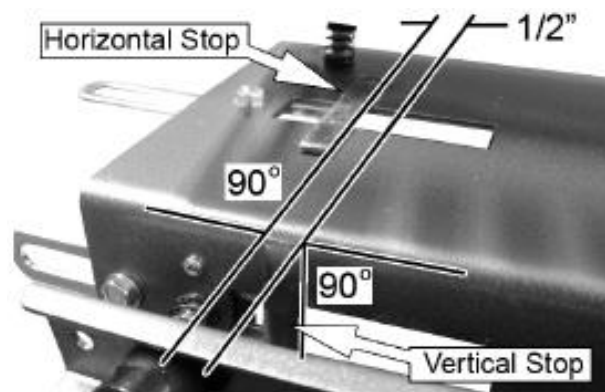
– Use a set square to draw a pencil line halfway across the first finger of the template. The line must be square to the edges of the template.



– Line up the inside edge of the left horizontal stop with the line you just drew on the template. Use a set square to ensure the stop is square to the jig.

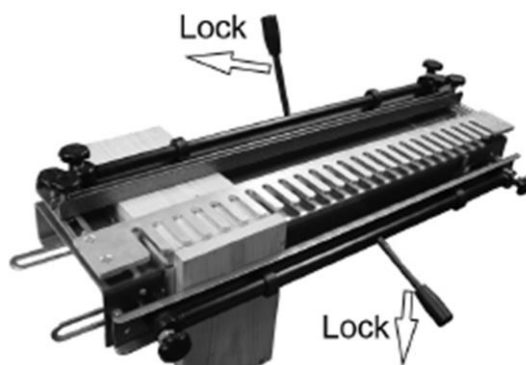


– Offset the vertical stop 1/2" to the right of the horizontal stop. Ensure the vertical stop is square to the top of the jig.



– Mirror these settings on the right-hand side of the jig. **Placing Work Pieces**

– Align the timber so that the side of the work piece is mounted in the front vertical clamp. It should extend above the front edge of the jig by the thickness of the piece to be mounted under the top clamp (front or back of the drawer).



# OPERATION

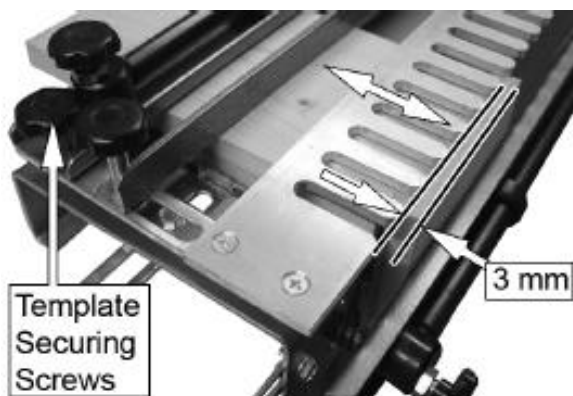
– The piece of timber in the top clamp is then butted up to this, so that both pieces are flush under the template.

– The two pieces sit in the jig as shown on the right. Make sure that both pieces are butted up against the horizontal / vertical stops.

– Use the locking clamp handles to secure the wood to the jig. You may need to adjust the top and front clamp bars to suit the thickness of the timber using the clamp adjusting screws at either end of each clamp bar so that the wood is held firmly in place. When narrow pieces of wood are being used, place another piece of wood (exactly the same thickness) underneath the clamp bar at the opposite end to ensure an even grip on the wood and to avoid distorting the bars.

## Setting the Template Position

– Unlock the two template securing screws and position the template so that the tips of the fingers sit 3mm back from the edge of the vertically mounted timber.



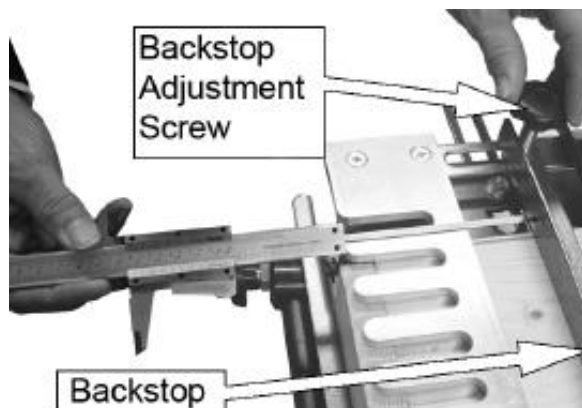
– Lock the template into position using the two template securing screws.

## Setting the Backstop

The distance the backstop needs to be positioned from the front of the template fingers depends on the size of router base fitted to your router, the formula to calculate this is:

$$\left( \frac{\text{diameter of router base}}{2} \right) + 2 \times \text{thickness of work piece} - \left( \frac{\text{cutter diameter}}{2} \right)$$

– Set a micro-meter or Vernier calliper to the Calculated depth and adjust the backstop as Shown (next page).



– Lock into place using the backstop locking screws. It is not essential that this setting is exact at this stage as final adjustments can be made later on.

– Ensure that the template and back stop stay parallel with the front edge of the jig during this setting procedure

## Setting the Cutter Depth

– Fit the bearing guided router bit securely into the router collet

– Adjust the cutter depth, until the bottom of the router bit protrudes 10-11 mm below the template fingers.

– You may need to fit a packing piece between the template and the timber to ensure good contact between the bearing and the slots in the template.

– The cutting depth is critical to the final fit of the joint, with as little as 0.5mm change in depth making all the difference.

# WORKING ADVICE & MAINTENANCE AND SERVICE

## General Sawing Instructions

**For all cuts, it must first be ensured that the saw blade at no time can come in contact with the fence, screw clamps or other machine parts. Remove possibly mounted auxiliary stops or adjust them accordingly.**

Protect the saw blade against impact and shock. Do not subject the saw blade to lateral pressure.

Do not saw warped/bent work pieces. The work piece must always have a straight edge to face against the fence.

Long work pieces must be under laid or supported at their free end.

## Position of the Operator

**– Do not stand in a line with the saw blade in front of the machine. Always stand aside of the saw blade.**

This protects your body against possible kickback.

– Keep hands, fingers and arms away from the rotating saw blade. Observe the following instructions:

– Hold the work piece securely with both hands and press it firmly against the saw table.

– When sawing narrow work pieces and bevel angles, always use the supplied hold-down stick.

## Transport

Before transporting the power tool, the following steps must be carried out:

– Bring the machine into the transport position.

– Remove all accessories that cannot be mounted firmly to the power tool. If possible, place unused saw blades in an enclosed container for transport.

– Carry the machine by the base or the carry handle only.

**The power tool should always be carried by two persons in order to avoid back injuries. When transporting the power tool, use only the transport devices and never use the protective devices.**

## Maintenance and Service

– **Before each use** inspect the general condition of the machine. Check for loose screws, misalignment or binding of moving parts, cracked or broken parts, and any other condition that may affect its safe operation.

– **Each day** remove all sawdust and debris from the jig with a soft brush, cloth or vacuum. Do not use solvents or caustic agents to clean the jig.

# LUMBERJACK GUARANTEE

## 1. Guarantee

1.1 Lumberjack guarantees that for a period of 12 months from the date of purchase the components of qualifying products (see clauses 1.2.1 to 1.2.8) will be free from defects caused by faulty construction or manufacture

1.2 During this period, Lumberjack, will repair or replace free of charge any parts which are proved to be faulty in accordance with paragraph 1.1 providing that:

1.2.1 You follow the claims procedure set out in clause 2.

1.2.2 Lumberjack and its Authorised Dealers are given reasonable opportunity after receiving notice of the claim to examine the product.

1.2.3 If asked to do so by Lumberjack or its Authorised Dealer, you return the product at your own cost to Lumberjack's or the supplying Authorised Dealer's Premises -

For the examination to take place clearly stating the Returns Material Authorisation Number given.

1.2.4 The fault in question is not caused by industrial use, accidental damage, fair wear and tear, wilful damage, neglect, incorrect electrical connection, misuse, alteration or repair of the product without approval.

1.2.5 The product has been used in a domestic environment only.

1.2.6 The fault does not relate to consumable items such as blades, bearings, drive belts or other wearing parts which can reasonably be expected to wear at different rates depending on usage.

1.2.7 The product has not been used for hire purposes.

1.2.8 The product has been purchased by you, as the guarantee is not transferable from a private sale.

# LUMBERJACK GUARANTEE

## 2. Claims Procedure

2.1 In the first instance please contact the Authorised Dealer who supplied the product to you. In our experience many initial problems with machines that are thought to be fault due to faulty parts are actually solved by correct setting up or adjustment of the machine. A good Authorised Dealer should be able to resolve the majority of these issues much more quickly than processing a claim under the guarantee. If a return is requested by the Authorised Dealer or Lumberjack, you will be provided with a Returns Material Authorisation Number which must be clearly stated on the returned package, and any accompanying correspondence. Failure to provide a Returns Material Authorisation Number may result in item being refused delivery.

2.2 Any issues with the product resulting in a potential claim under the guarantee must be reported to the Authorised Dealer from which it was purchased within 48 hours of receipt.

2.3 If the authorised Dealer who supplied the product to you has been unable to satisfy your query, any claims made under this guarantee should be made directly to Lumberjack. The claim itself should be made in a letter setting out the date and place of purchase, giving a brief explanation of the problem which has led to the claim.

2.4 Please note that it is essential that the letter of claim reaches Lumberjack on the last day of this guarantee at the latest. Late claims will not be considered.

## 3. Limitation of Liability.

3.1 We only supply products for domestic and private use. You agree not to use the product for any commercial, business or resale purposes and we have no liability to you for any loss of profit, loss of business, business interruption or loss of business opportunity.

3.2 This guarantee does not confer any rights other than these expressly set out above and does not cover any claims for consequential loss or damage. This guarantee is offered as an extra benefit and does not affect your statutory rights as a consumer.

## 4. Notice

This guarantee applies to all product purchased from an Authorised Dealer of Lumberjack within the United Kingdom. Terms of guarantee may vary in other countries.



# PARTS LIST & DIAGRAM

No.	Description	No.	Description
1	Working table	13	Eccentric rod
2	Washer	14	Screw
3	Bolt	15	Spring
4	Nut	16	Bracket frame
5	Side brace	17	Screw
6	Fixing screw "A"	18	Comb table
7	Fixing screw "B"	19	Stop pin
8	Spacing screw	20	Adjusting nut
9	Bar fixing stand	21	Support
10	Eccentric wheel	22	Screw
11	Rotary rod	23	Rod fixer
12	Knob		

